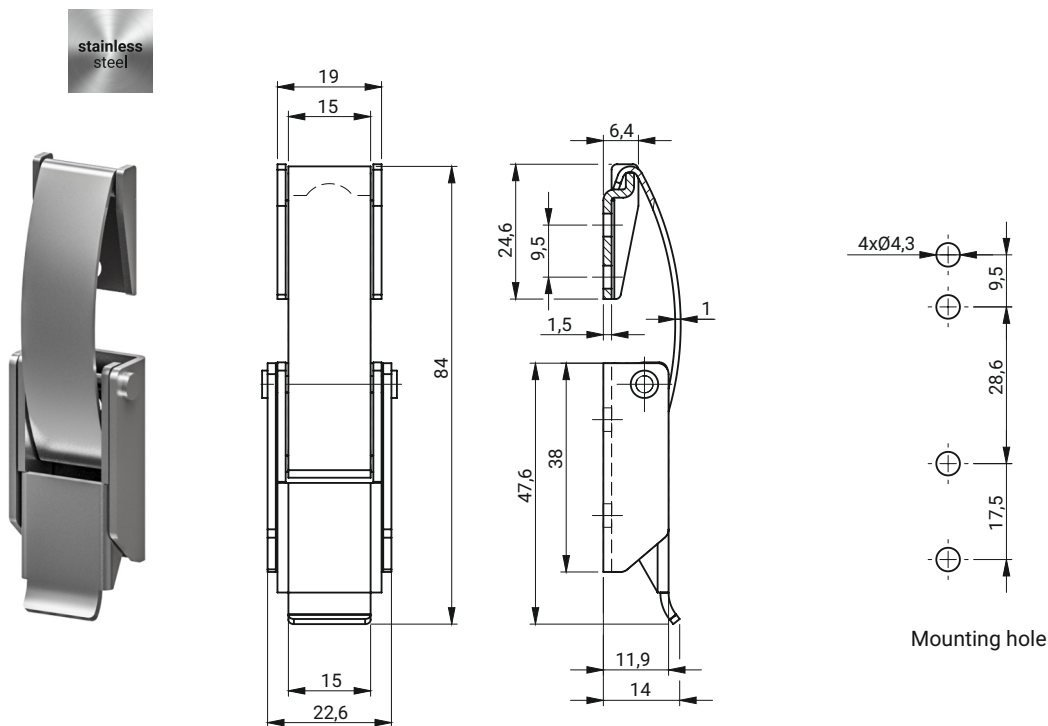


Attachment 3.ST263.001.04A or 3.ST263.001.04B ordered separately

CATALOGUE NO.	MATERIAL	FINISH [C]
		RAL 9005
3.ST263.001	Steel zinc plated	04
3.ST263.001SN	Stainless steel	-
3.ST263.001.04A	Steel zinc plated	04
3.ST263.001.04B		
3.ST263.001.04ASN	Stainless steel	-
3.ST263.001.04BSN		



Latch supplied with a catch

CATALOGUE NO.	MATERIAL
3.ST263.100	Steel zinc plated
3.ST263.100SN	Stainless steel