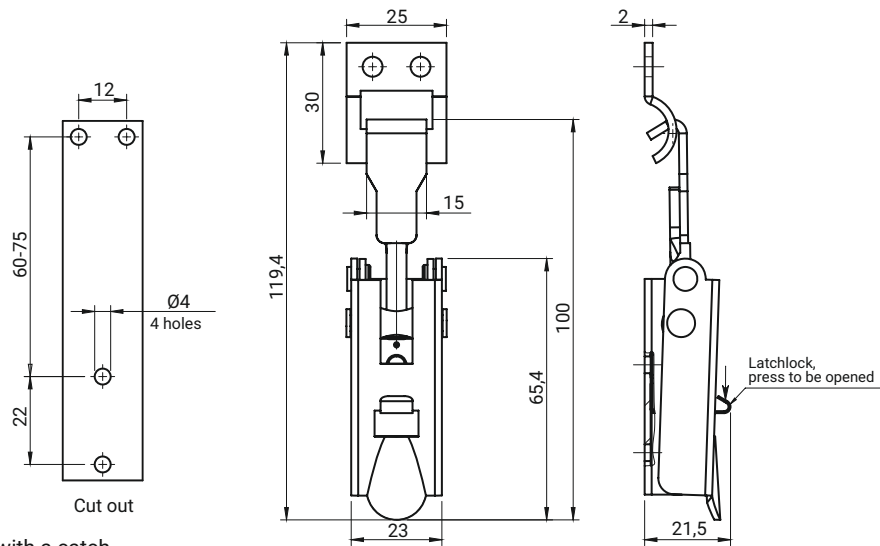


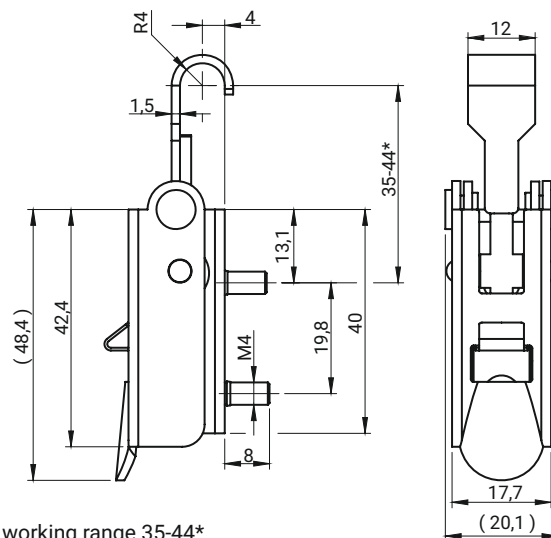
Latch supplied with a catch

| CATALOGUE NO. | MATERIAL |
|---------------|-------------------|
| 3.ST208.001 | Steel zinc plated |
| 3.ST208.001SN | Stainless steel |



Latch supplied with a catch

| CATALOGUE NO. | MATERIAL |
|---------------|-------------------|
| 3.ST210.001 | Steel zinc plated |
| 3.ST210.001SN | Stainless steel |



* Adjustable fastener working range 35-44*

| CATALOGUE NO. | MATERIAL |
|---------------|-----------------|
| 3.ST212.001SN | Stainless steel |