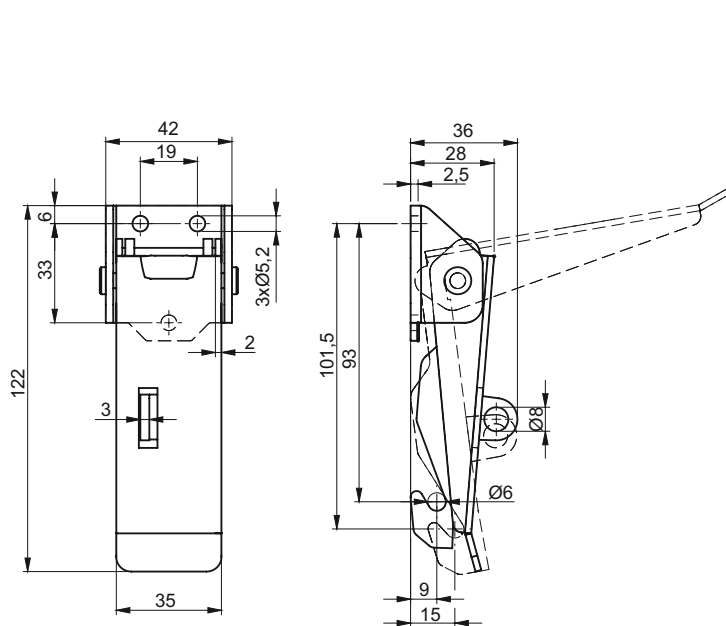


CATALOGUE NO.	MATERIAL
3.ST209.001	Steel zinc plated
3.ST209.001SN	Stainless steel



CATALOGUE NO.	MATERIAL
3.ST211.001	Steel zinc plated
3.ST211.001SN	Stainless steel