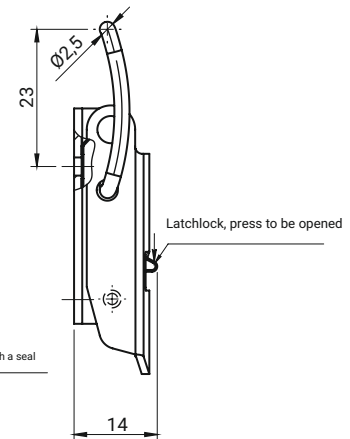
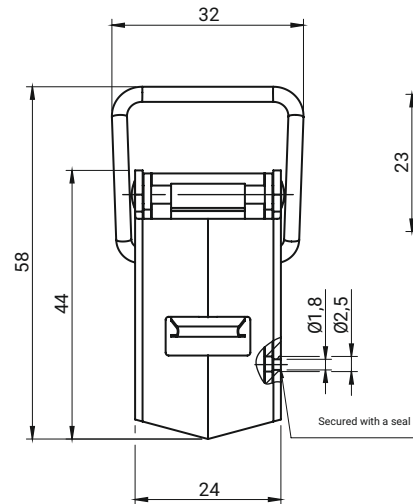


Cut out

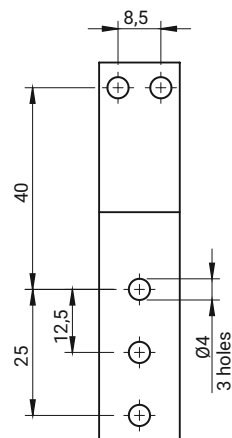


Preferred catch:

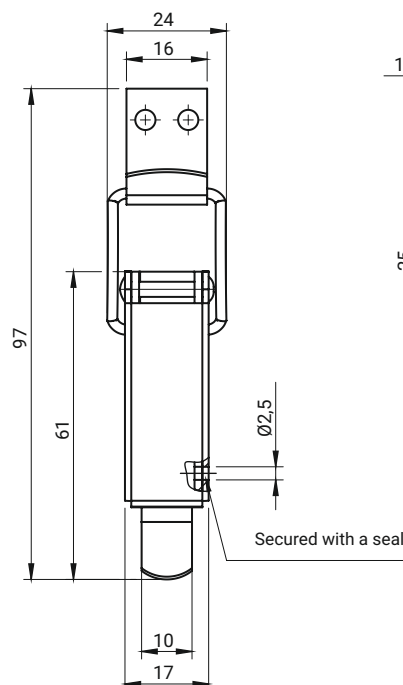
- 3.ST200.002 (2B-1)
- 3.ST200.002SN (2B-1)

Catch ordered separately

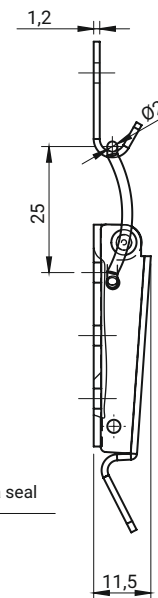
CATALOGUE NO.	MATERIAL
3.ST206.001*	Steel zinc plated
3.ST206.001SN*	Stainless steel



Cut out



Secured with a seal



Latch supplied with a catch

CATALOGUE NO.	MATERIAL
3.ST207.001	Steel zinc plated
3.ST207.001SN	Stainless steel