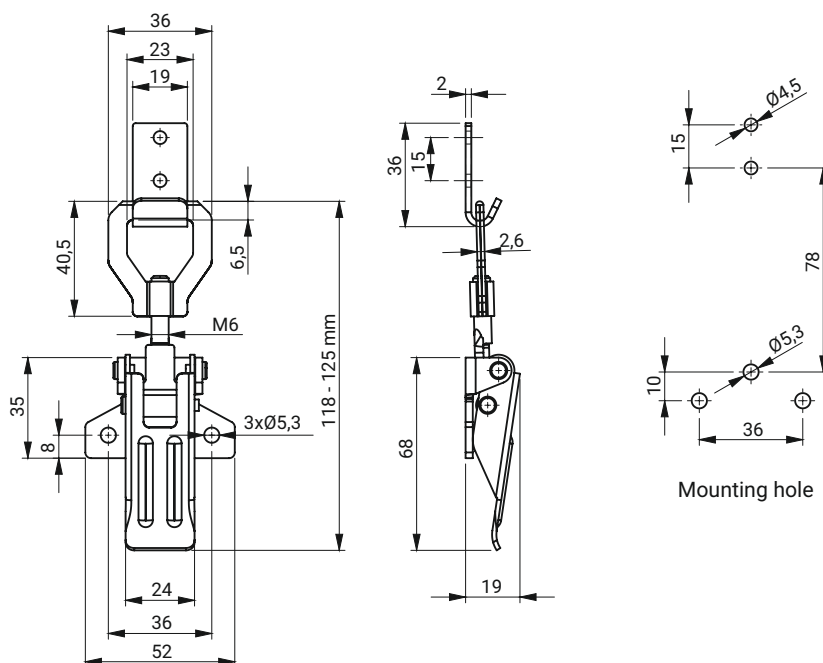


Latch supplied with a catch

CATALOGUE NO.	MATERIAL
3.ST265.002	Steel zinc plated
3.ST265.002SN	Stainless steel



Latch supplied with a catch

CATALOGUE NO.	MATERIAL
3.ST265.003	Steel zinc plated
3.ST265.003SN	Stainless steel