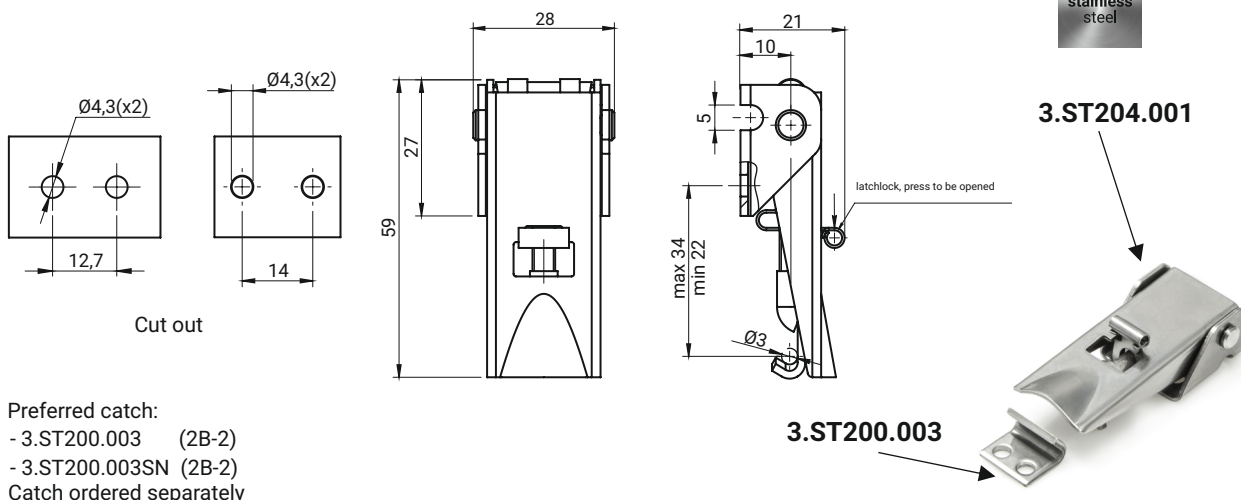
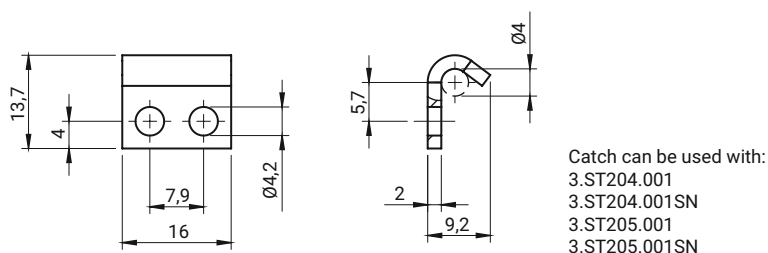


Latch 3.ST204, 3.ST205 Catch 3.ST200

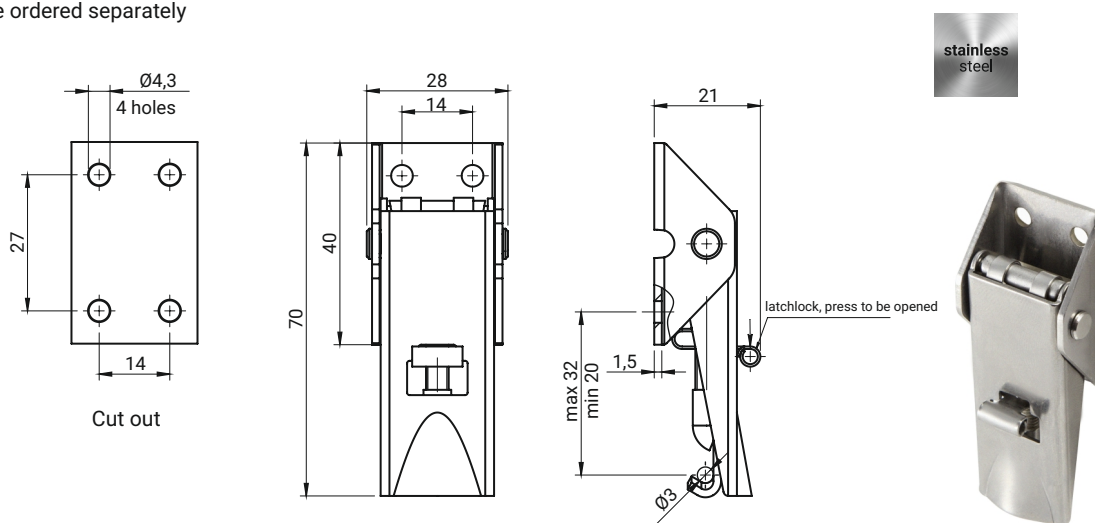


CATALOGUE NO.	MATERIAL
3.ST204.001	Steel zinc plated
3.ST204.001SN	Stainless steel



CATALOGUE NO.	MATERIAL
3.ST200.003*	Steel zinc plated
3.ST200.003SN*	Stainless steel

* detail to be ordered separately



CATALOGUE NO.	MATERIAL
3.ST205.001	Steel zinc plated
3.ST205.001SN	Stainless steel