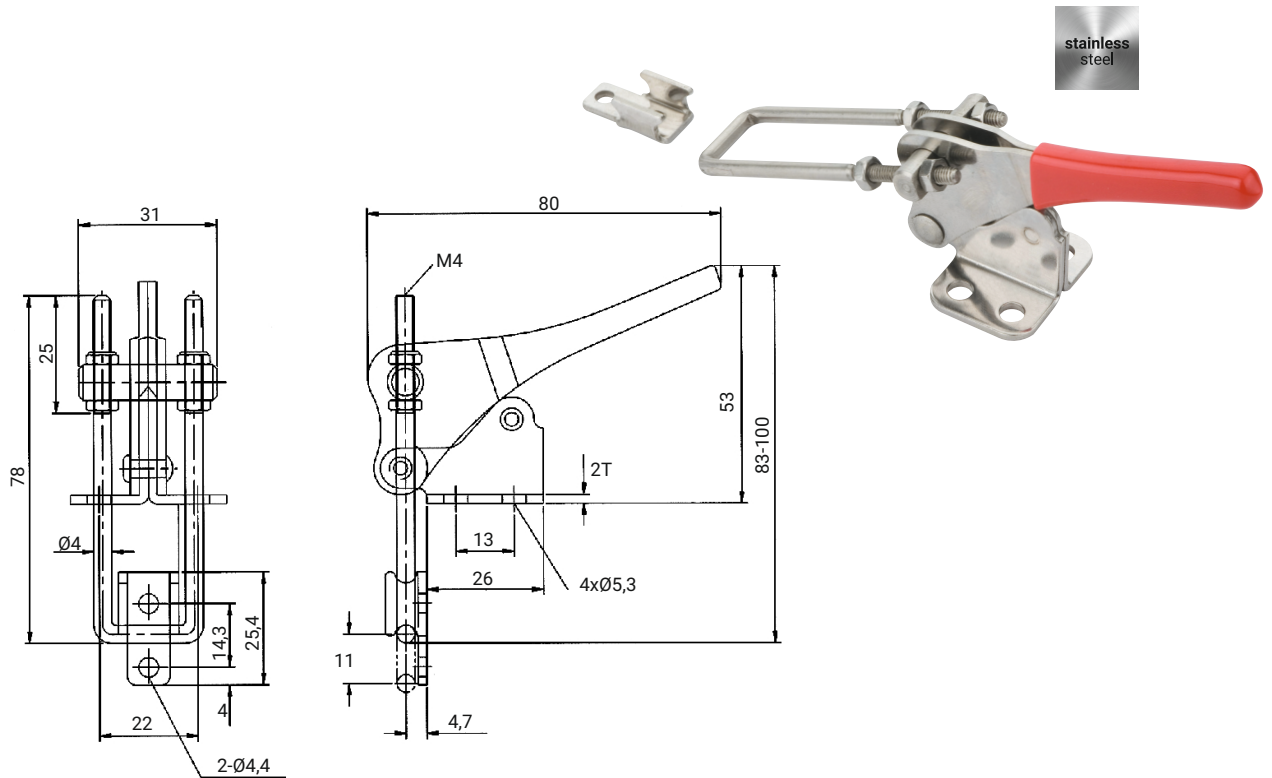


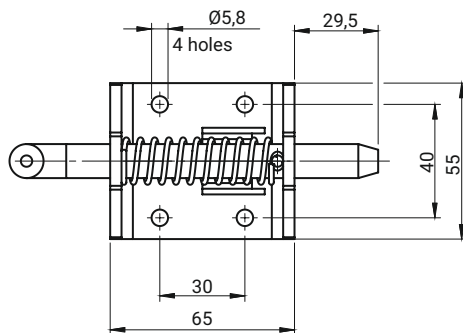
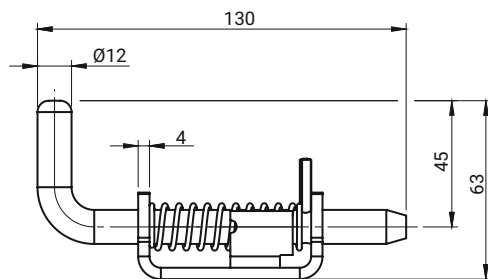
# Latch 3.567

## Bolt 4.700

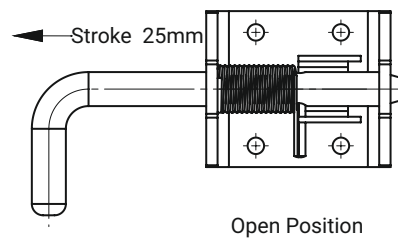


Note: Maximum load 225kg  
Latch supplied with a catch

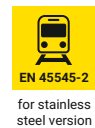
CATALOGUE NO.	MATERIAL
3.567.001	Stainless steel



Locked Position



Open Position



for stainless steel version

CATALOGUE NO.	COMPONENTS	MATERIAL
4.700.001	Base Mount, Locking Pin	Steel zinc plated
	Spring	Stainless steel
4.700.001SN	Base Mount, Locking Pin	Stainless steel