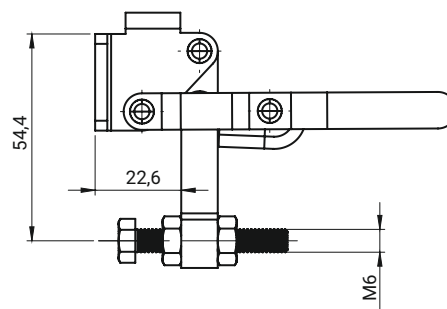
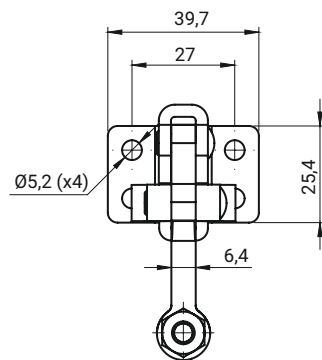
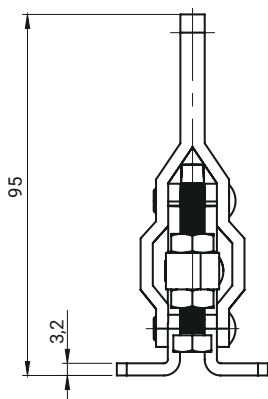


Note: Maximum load 160kg
Latch supplied with a catch

| CATALOGUE NO. | MATERIAL |
|---------------|-----------------|
| 3.565.001 | Stainless steel |



Note: Maximum load 95kg
Latch supplied with a catch

| CATALOGUE NO. | MATERIAL |
|---------------|-----------------|
| 3.566.001 | Stainless steel |