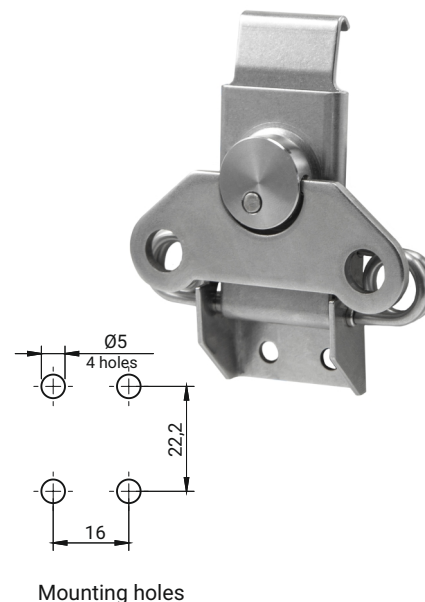
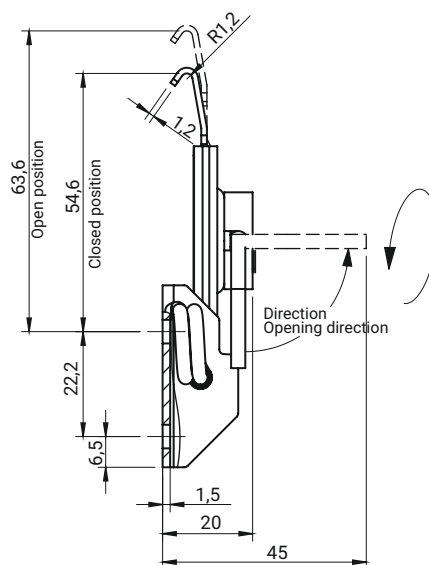
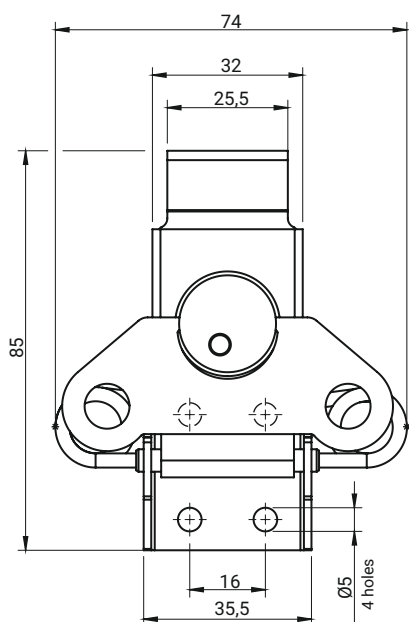


Latch with protection against unwanted opening.  
Latch compatible with a catch 3.ST200.003SN - ordered separately.

CATALOGUE NO.	MATERIAL
3.ST264.002	Steel zinc plated
3.ST264.002SN	Stainless steel



Latch opens by lifting the knob and turning counterclockwise.

CATALOGUE NO.	MATERIAL
3.ST267.001SN	Stainless steel