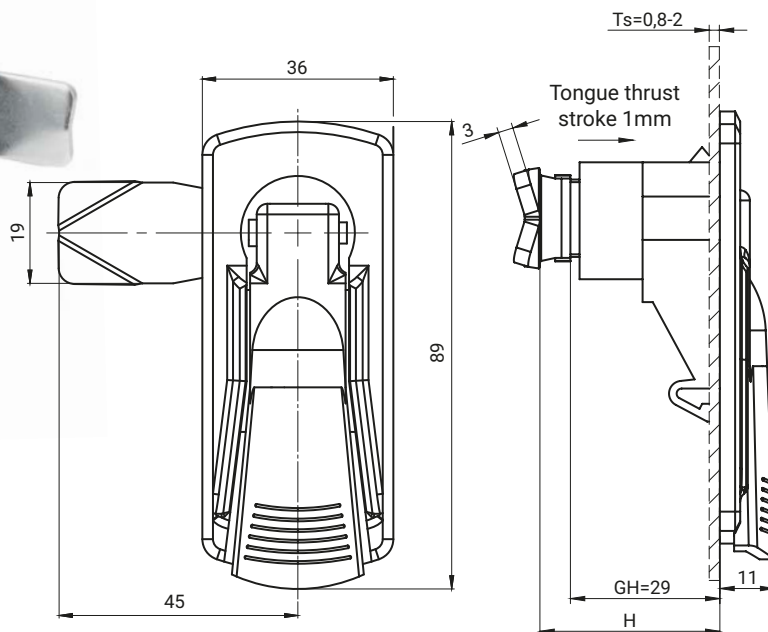


\* By ordering specify the size H lock cam.

CATALOGUE NO.	COMPONENTS	MATERIAL	FINISH [C]
			RAL 9005
2.604.001	Housing, handle	Polyamide	07
	Cam	Stainless steel	-



The lock has the stroke of the cam offsetting the clearance.

CATALOGUE NO.	COMPONENTS	MATERIAL	FINISH [C]
			RAL 9005
2.605.001	Handle, Housing	Polyamide	07
	Cam	Zinc plated steel	-

**How to order:**  
 Type of lock 2.605.001 — 29 — C  
 The height of cam H=21, 25, 29, 33, 37  
 Finish

**where:**

Ts - thickness of mounting plate