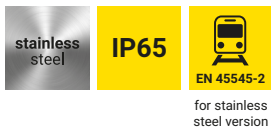


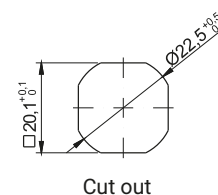
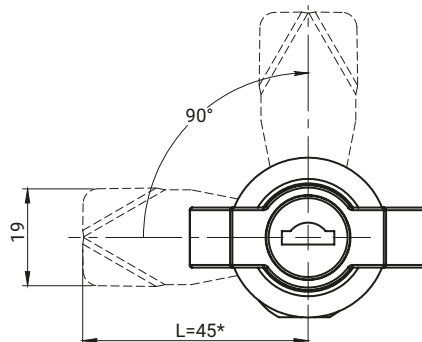
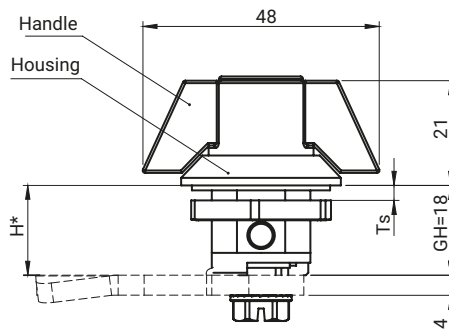
Wing lock made of stainless steel

2.PM18SN, PM18-KSN

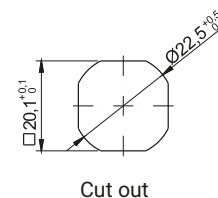
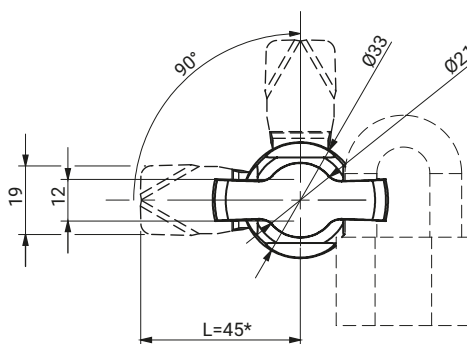
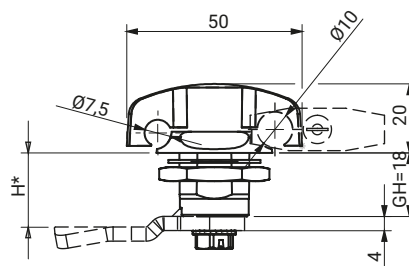


2.PM18.001SN

2.PM18.005SN

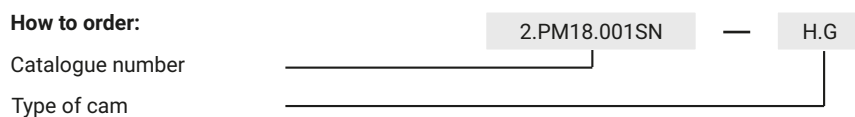


CATALOGUE NO.	CATALOGUE NO.		MATERIAL	
	Cylinder 1333	Without cylinder	Handle	Housing
PM18	2.PM18.001SN	2.PM18.005SN	Stainless steel 1.4401	



CATALOGUE NO.	COMPONENTS		MATERIAL
PM18-KSN	Housing	Insert	Stainless steel 1.4401

How to order:



* other dimensions available on request

The lock is fitted with cams from the group: 14, 17A, 34, JK1-16018SN, JK2-16018SN, J-6000.03SN, J-6000.04SN, JK-1610.01 (pg. 1C-10 to 1C-21)

H.G - the cam unbending dimension (H - locking height, G - group)