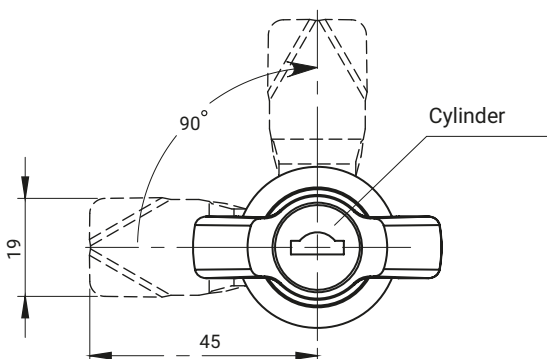
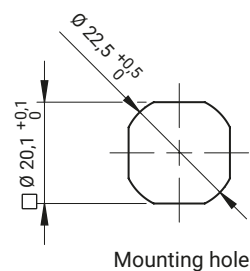
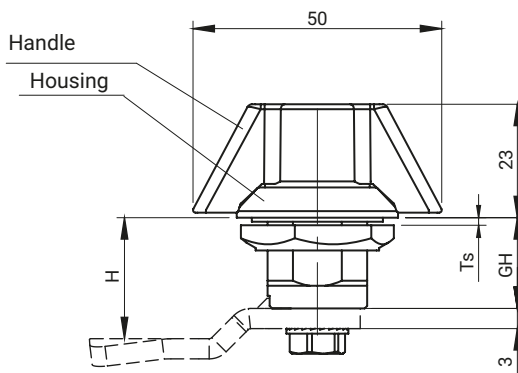


Locks with Butterfly Handle

2.PM, 2.PMPA



LOCK WITH METAL BUTTERFLY HANDLE					
GH VALUE	CATALOGUE NUMBER			MATERIAL AND FINISH	
	Cylinder 1333	Cylinder - RK	Without cylinder	Handle	Housing
GH=18 Tsmax-8	2.PM18.002	2.PM18.004	2.PM18.006	ZAMAK 5	
	2.PM18.001	2.PM18.003	2.PM18.005	RAL9005	
GH=30 Tsmax-18	2.PM30.002	2.PM30.004	2.PM30.006	RAL9005	
	2.PM30.001	2.PM30.003	2.PM30.005	Chrom	
GH=40 Tsmax-28	2.PM40.002	2.PM40.004	2.PM40.006	RAL9005	
	2.PM40.001	2.PM40.003	2.PM40.005	Chrom	
GH=60 Tsmax-48	2.PM60.002	2.PM60.004	2.PM60.006	RAL9005	
	2.PM60.001	2.PM60.003	2.PM60.005	Chrom	

LOCK WITH POLYAMIDE BUTTERFLY HANDLE					
GH VALUE	CATALOGUE NUMBER			FINISH [C]	
	Cylinder 1333	Cylinder - RK	Without cylinder	Handle	Housing
GH=18 Tsmax-8	2.PMPA18.002	2.PMPA18.004	2.PMPA18.006	Poliamid*	ZAMAK 5
	2.PMPA18.001	2.PMPA18.003	2.PMPA18.005		RAL9005
GH=30 Tsmax-18	2.PMPA30.002	2.PMPA30.004	2.PMPA30.006	RAL9005	RAL9005
	2.PMPA30.001	2.PMPA30.003	2.PMPA30.005		Chrome
GH=40 Tsmax-28	2.PMPA40.002	2.PMPA40.004	2.PMPA40.006	RAL9005	RAL9005
	2.PMPA40.001	2.PMPA40.003	2.PMPA40.005		Chrome
GH=60 Tsmax-48	2.PMPA60.002	2.PMPA60.004	2.PMPA60.006	RAL9005	RAL9005
	2.PMPA60.001	2.PMPA60.003	2.PMPA60.005		Chrome