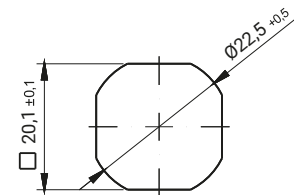
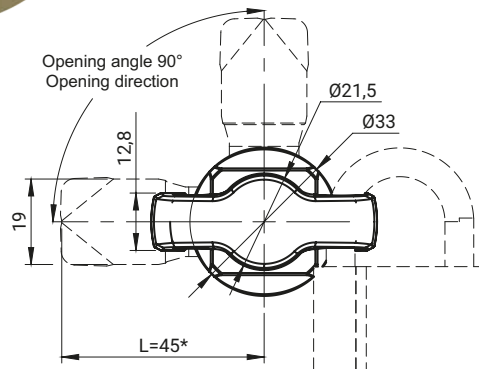
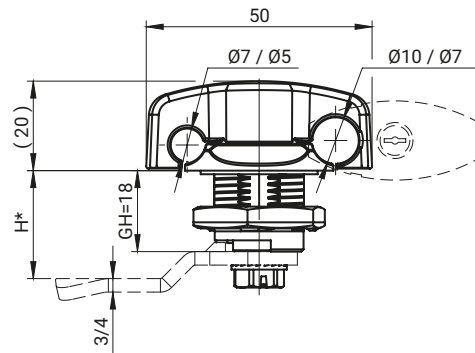


## Lock with padlockable mechanism

LH/RH

IP65

NEW



Cut out

TYPE OF LOCK	COMPONENTS	MATERIAL	FINISH [C]	
			Chrome	RAL 9005
2.PM18-K2	Housing, Insert	ZAMAK 5	01	04
	Cam	Steel	-	-

## How to order:

Type of lock

Type of cam

Finish

2.PM18-K2 — H.G — C

The lock is fitted with cams from the group: 15, 16, 19, 21, 35, 36, JK1-10018, JK2-10018, J-6000.01, J-6000.02, JK-1610.01, JZ-001 (pg. 1C-12 to 1C-23)

H.G - the cam unbending dimension (H-locking height, G-group)

State the cam thickness at order.

Padlock is not included.

\* different dimensions available