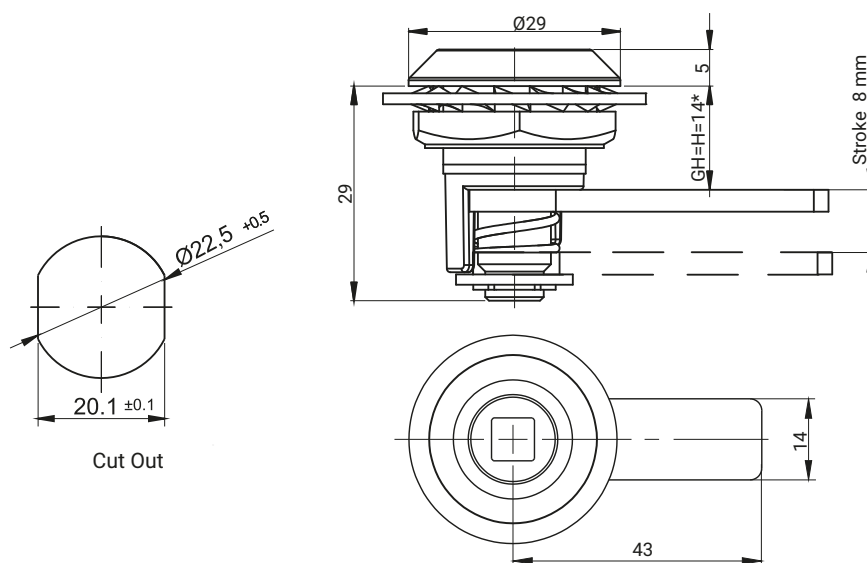


RoHS



INSERTS [X]			FINISH [C]			
			Chrome	Nickel	RAL 9005	RAL 7035
T9	KW8	S	01	02	04	05

TYPE OF LOCK	COMPONENTS	MATERIAL
M19DC	Housing	ZAMAK 5
	Cam, insert	Steel zinc plated



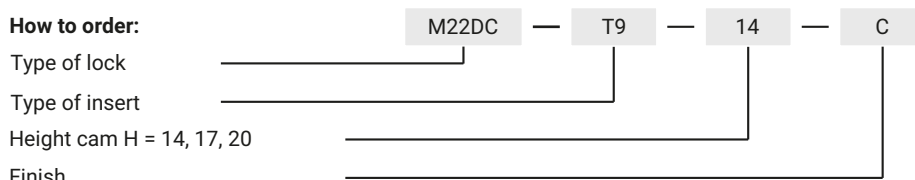
RoHS



INSERTS [X]			FINISH [C]			
			Chrome	Nickel	RAL 9005	RAL 7035
T9	KW8	S	01	02	04	05

TYPE OF LOCK	COMPONENTS	MATERIAL
M22DC	Housing	ZAMAK 5
	Cam, insert	Steel zinc plated

How to order:



* possibility to make in another dimension