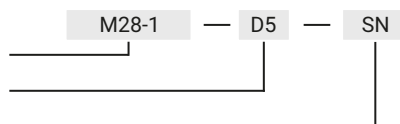


Lock with protection from undesirable opening without specific key.
Rotation of locking cam is possible after pushing pin by key.
Key removal possible only in locking position of the lock.
Lock works with key 2.KL-D5.001 (pg. 2A-130, 133, 136).

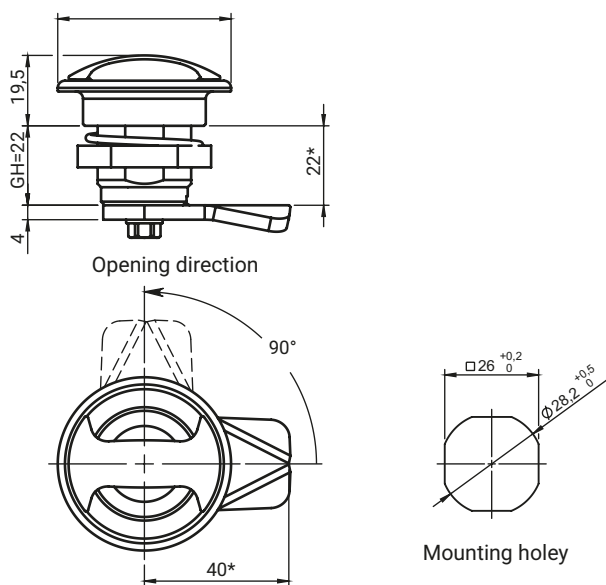
TYPE OF LOCK	COMPONENTS	INSERT [X]	MATERIAL
M28-1	Housing, Insert, Cam		Stainless steel electropolished
		D5	

How to order:

Type of lock
Type of insert [X]
Material / finish



* possibility to make in another dimension



TYPE OF LOCK	COMPONENTS	MATERIAL
M28-2	Housing, Insert, Cam	Stainless steel electropolished