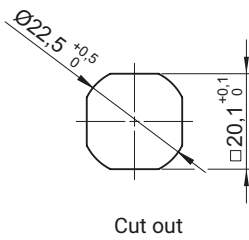
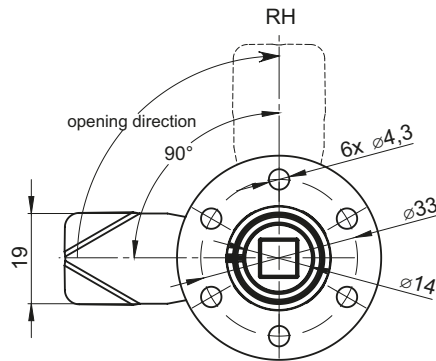
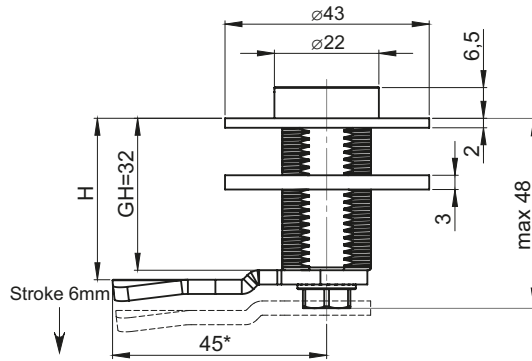
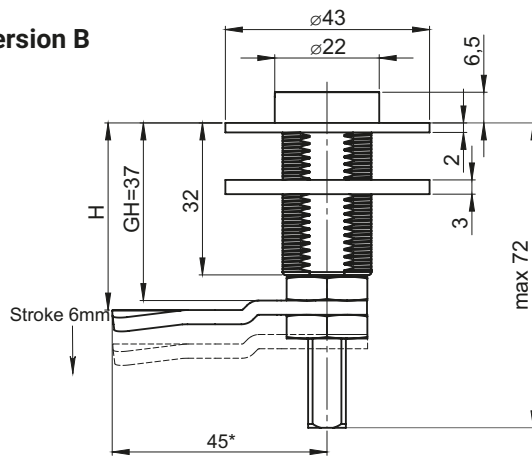




### Version A

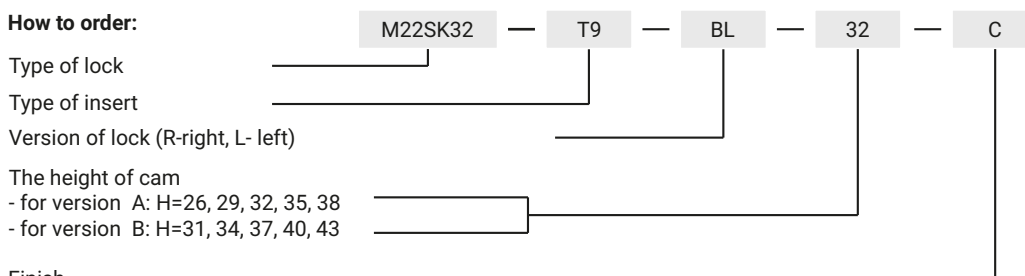


### Version B



INSERTS [X]					FINISH [C]			
					Chrome	RAL 9005		
D3	D5	T9	KW 7	KW 8	01	04		
TYPE OF LOCK					COMPONENTS		MATERIAL	
M22SK32					Housing, Insert		ZAMAK 5	
					Cam, Washer, Nut		Zinc plated steel	

#### How to order:



\* Possibility to order in a different dimension