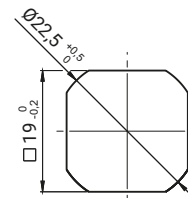
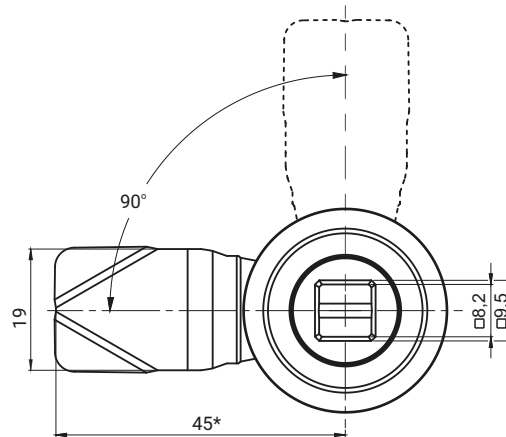
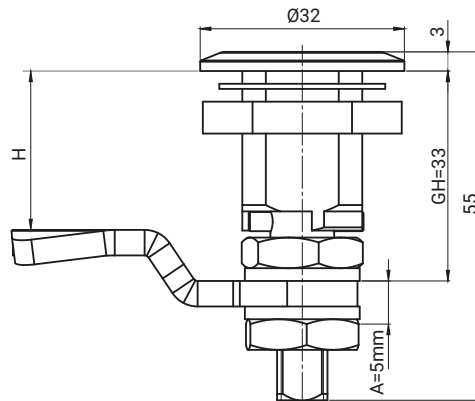
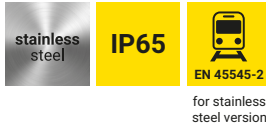


# Lock M22JR-SN



Cut out

A - the height of the latch adjustment H

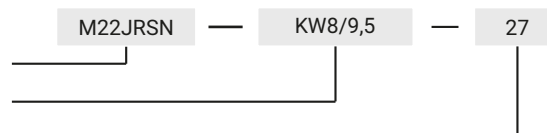
TYPE OF LOCK	COMPONENTS	MATERIAL
M22JR-SN	Housing, Insert, Cam	Stainless steel

## How to order:

Type of lock

Type of insert

The height of cam H=27, 31, 33, 35, 39



\* possibility to order in a different dimension