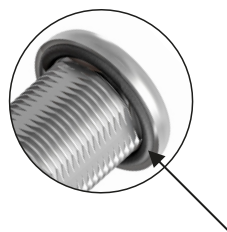
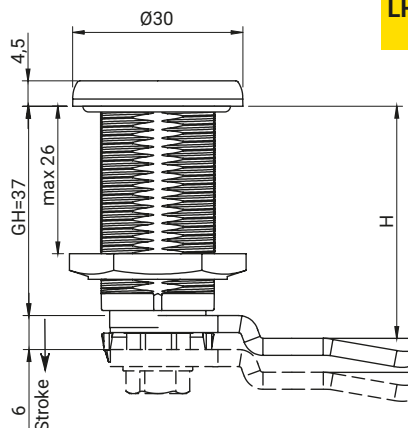


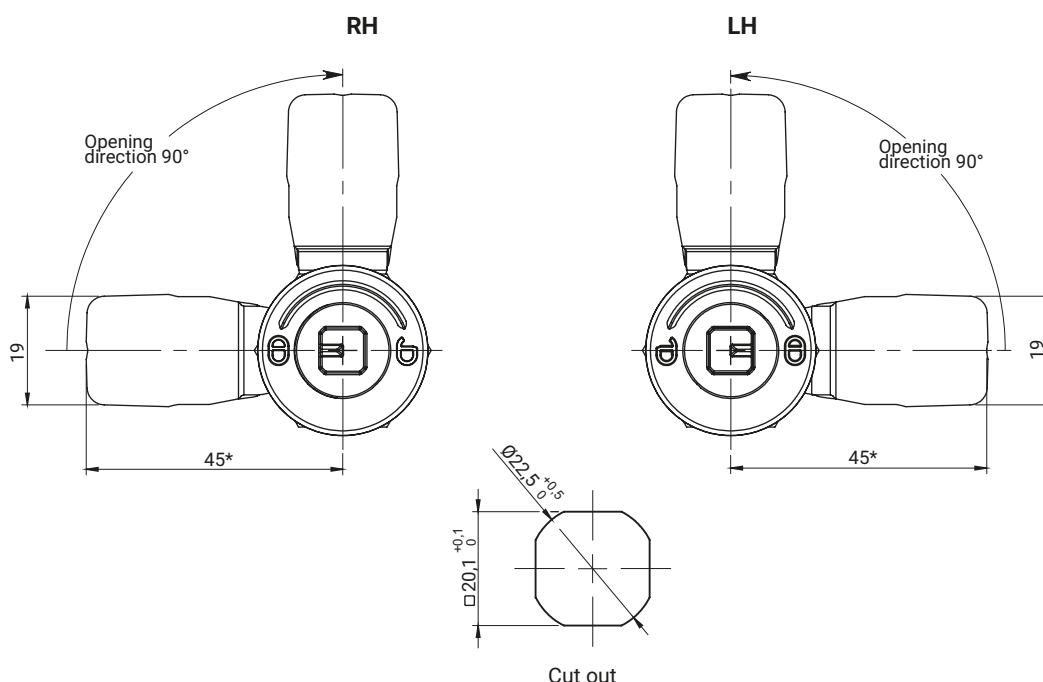
Lock M22SA2 with foamed sealing PUR



Housing with foamed sealing PUR



M22SA2

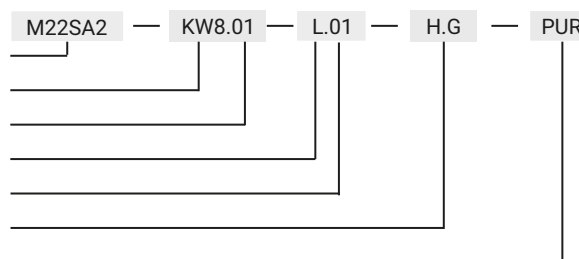


M22SA2.C

| TYPE OF LOCK | COMPONENTS | MATERIAL | | | |
|--------------------|--|-------------------|----|--------|---------|
| M22SA2 M22SA2.C | Housing, Knob | ZAMAK 5 | | | |
| | Cam, Washer, Nut Internal mechanism | Steel zinc plated | | | |
| INSERTS [X] | | FINISH [C] | | | |
| | | | | Chrome | RAL9005 |
| KW8 | T8 | D3 | D5 | 01 | 04 |

How to order:

- Type of lock
- Type of insert [X]
- Insert finish [C]
- Type of lock (L-Left, R-Right)
- Housing finish [C]
- Locking height
- PUR foam seal



where:

- H - the cam unbending dimension
- G - cam group

The lock is fitted with cams from the group: 15, 16, 19, 21, 35, 36, JK1-10018, JK2-10018, J-6000.01, J-6000.02, JK-1610.01, JZ-001 (pg. 1C-12 to 1C-23)

www.roztocze.eu