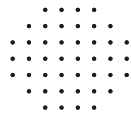
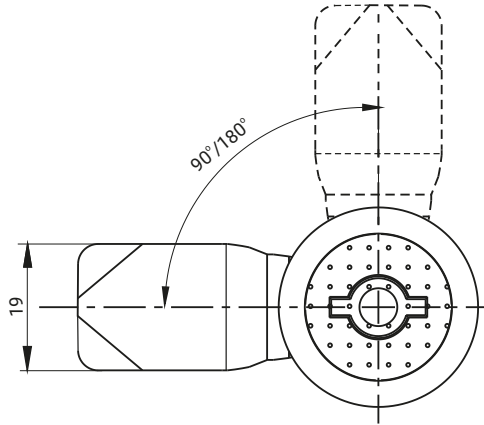
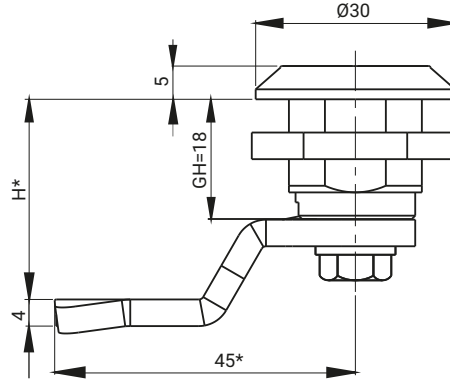
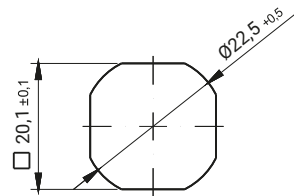


stainless steel
IP65
LH/RH
EN 45545-2
 for stainless steel version



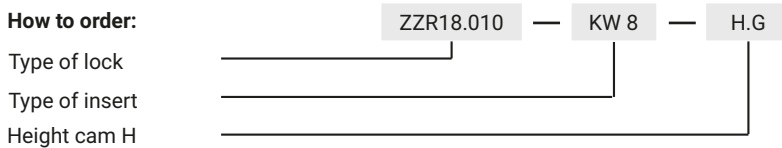
Means closed surface



Cut out

TYPE OF LOCK	COMPONENTS	MATERIAL	INSERT [X]
ZZR18.010	Housing, insert	Stainless steel	
	Cam		

How to order:



* possibility to make in another dimension

Note: When ordering specify the thickness of the locking cam

The lock is fitted with cams from the group: 14, 17A, 34, JK1-16018SN, JK2-16018SN, J-6000.03SN, J-6000.04SN, JK-1610.01 (pg. 1C-10 to 1C-21)