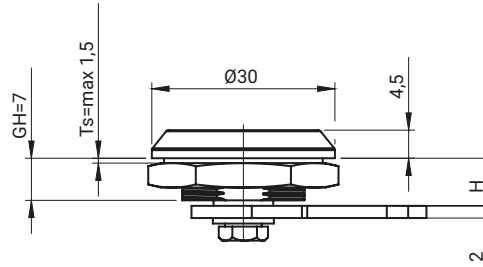


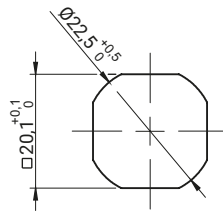
# Lock M22TW



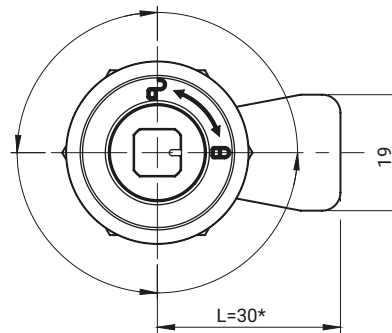
for stainless steel version



360° rotation



Cut out



TYPE OF LOCK	INSERTS [X]	COMPONENTS	MATERIAL	FINISH [C]
M22TW		Housing, Insert	Stainless steel	No
		Cam		

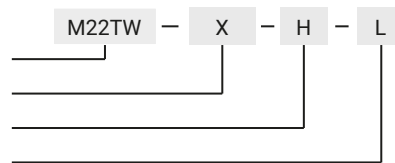
## How to order:

Type of lock

Type of insert [X]

Height cam H = 8, 10, 12

Length cam L = 30



\* possibility to make in another dimension