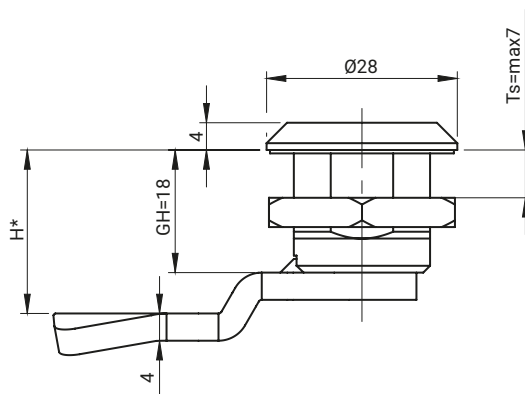




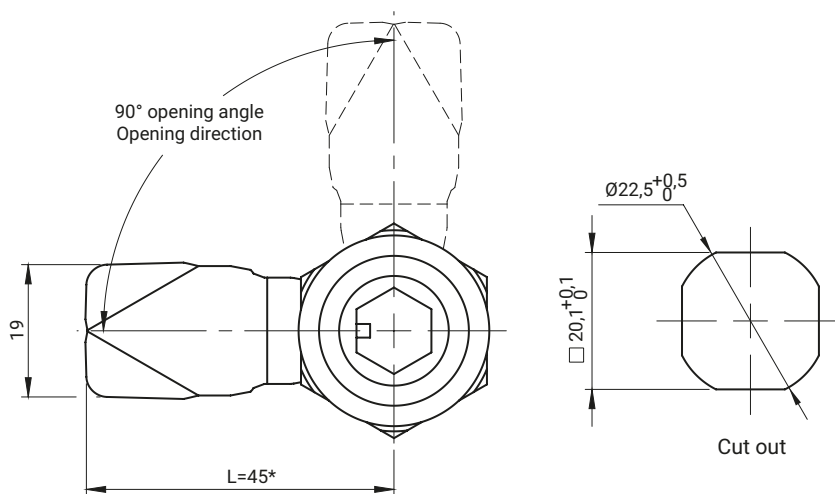
for stainless steel version



HEX11

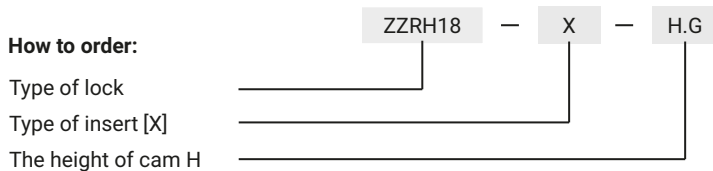


HEXB8W



TYPE OF LOCK	INSERTS [X]		COMPONENTS	MATERIAL
	HEX11	HEXB8W		
ZZRH18			Housing, Insert, Cam	Stainless steel (ASI 316)

How to order:



where:

H - the cam unbending dimension

G - cam group

Ts - door thickness

The lock is fitted with cams from the group: 14, 17A, 34, JK1-16018SN, JK2-16018SN, J-6000.03SN, J-6000.04SN, JK-1610.01 (pg. 1C-10 to 1C-21)

* possibility to make in another dimension

The lock works with a key Key 2.KL.X.014 (pg. 2A-134)