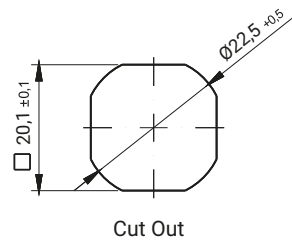
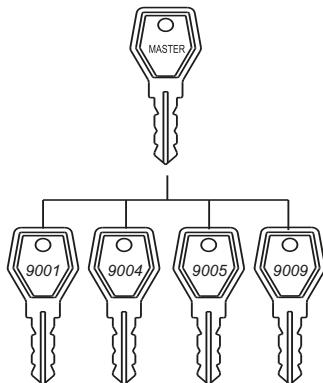
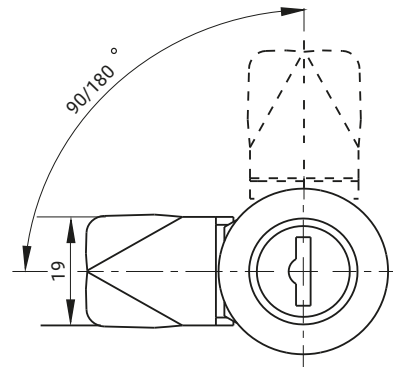
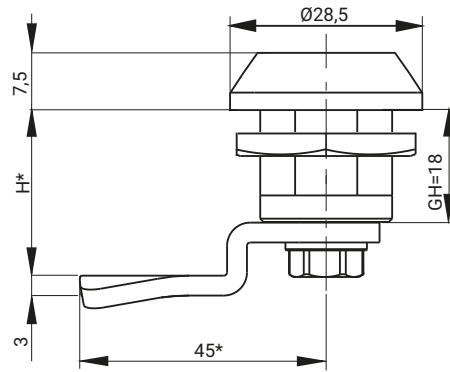
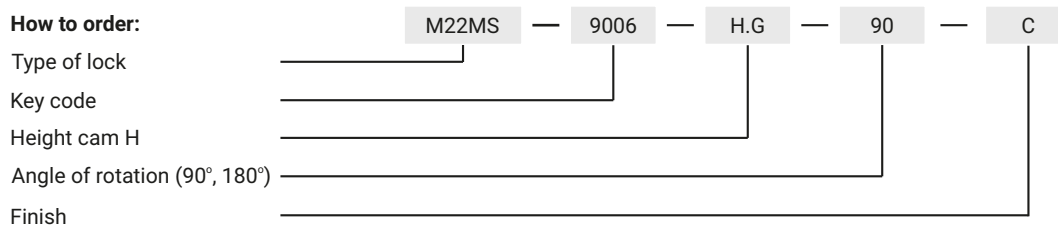


LH/RH



KEY CODE	FINISH [C]			
	Chrome	Nickel	RAL 9005	RAL 7035
9001 - 9010	01	02	04	05
TYPE OF LOCK	COMPONENTS		MATERIAL	
M22MS	Housing		ZAMAK 5	
	Cam		Steel zinc plated	

### How to order:



\* possibility to make in another dimension  
 In order to configure the system master please to contact the dealer.  
 The lock is fitted with cams from the group: 15, 16, 19, 21, 35, 36, JK1-10018, JK2-10018, J-6000.01, J-6000.02, JK-1610.01, JZ-001 (pg. 1C-12 to 1C-23)