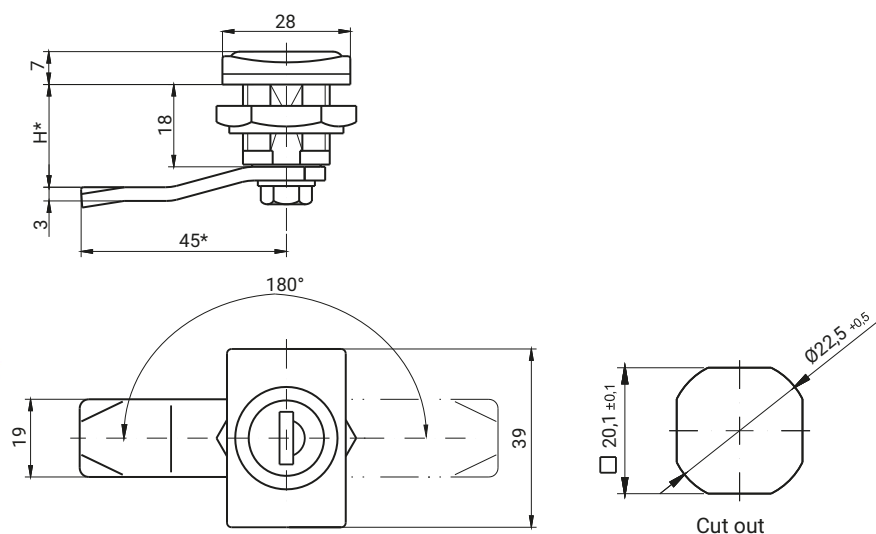


KEY CODE						FINISH [C]			
1333	405E	455E	1242E	2432E	RK	RAL 9005	07	RAL 7035	08
TYPE OF LOCK			COMPONENTS			MATERIAL			
M22DW			Housing			Polyamide			
			Cam			Steel zinc plated			



KEY CODE						FINISH [C]			
1333	405E	455E	1242E	2432E	RK	RAL 9005	07	RAL 7035	08
TYPE OF LOCK			COMPONENTS			MATERIAL			
M22PW			Housing			Polyamide			
			Cam			Steel zinc plated			

**How to order:**

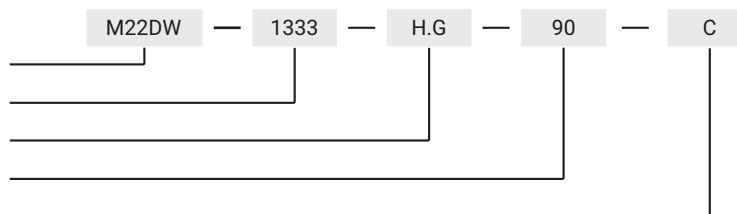
Type of lock

Key code

Height of cam H

The opening angle of (90°, 180°)

Colour of housing



\* possibility to make in another dimension

Locks are configured with insert and the nut of polyamide

H.G - the cam unbending dimension (H-locking height, G - group)

The lock is fitted with cams from the group: 15, 16, 19, 21, 35, 36, JK1-10018, JK2-10018, J-6000.01, J-6000.02, JK-1610.01, JZ-001 (pg. 1C-12 to 1C-23)