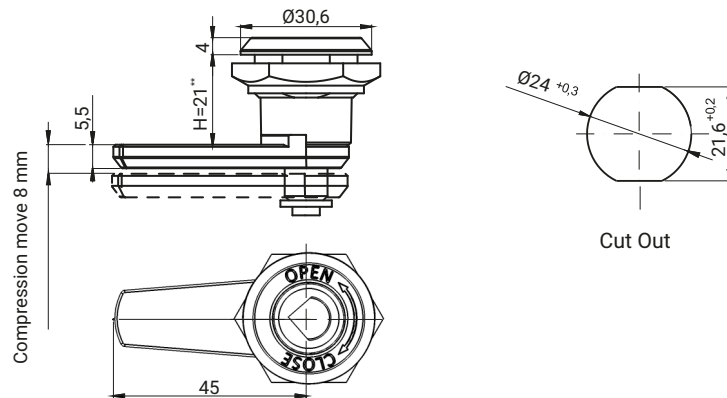


Lock on the drawing in the left door version  
The possibility adapting the lock to the door right ( Pic.1).

Pic.1 Lock in the closed position.  
The arrow means the direction opening the lock

INSERTS [X]										FINISH [C]		
										Nickel	RAL 9005	RAL 7035
T6	T8	T9	L	KW8	S	N	C9	D3	D5	02	04	05
TYPE OF LOCK		COMPONENTS			MATERIAL							
M24		Housing			ZAMAK 5							
		Cam, insert			Steel zinc plated							

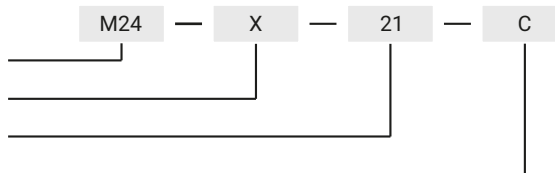
## IP65



INSERTS [X]											FINISH [C]		
											Nickel	RAL 9005	RAL 7035
T6	T8	T9	T10	L	KW8	S	N	C9	D3	D5	02	04	05
TYPE OF LOCK		COMPONENTS			MATERIAL								
M24ZN		Housing, cam			ZAMAK 5								
		Insert			Steel zinc plated								

### How to order:

- Type of lock
- Type of insert
- Height of cam H =22, 25, 28, 31
- Finish



\* possibility to make in another dimension  
\*\* lock M24ZN available only with cam dimension H=21 mm