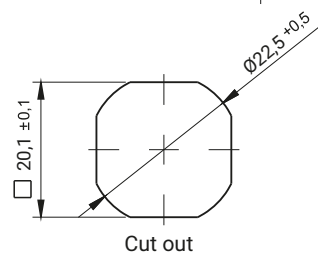
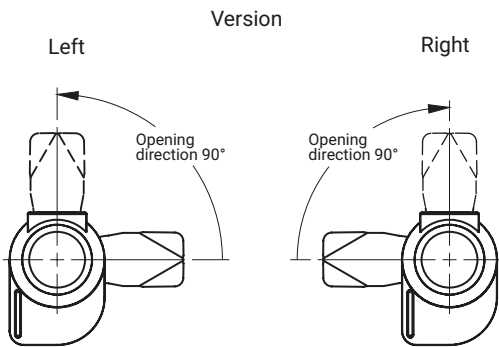
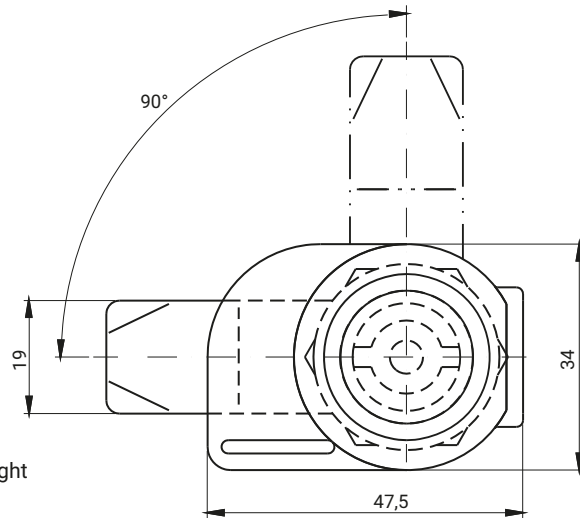
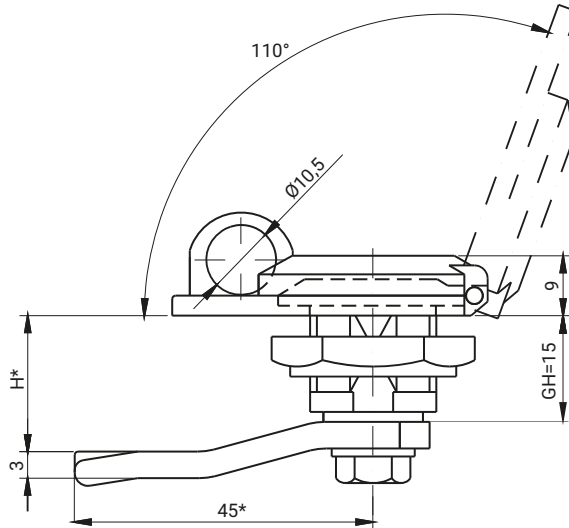


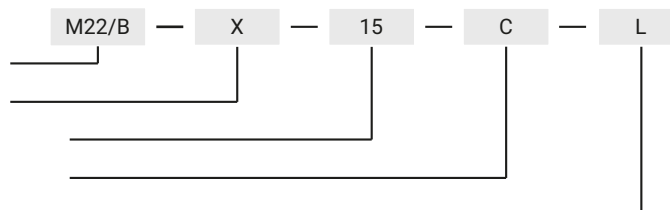
IP65



INSERT [X]							FINISH [C]			
							Chrome	Nickel	RAL 9005	RAL 7035
D3	D5	T9	T10	KW8	S	N	01	02	04	05
TYPE OF LOCK		COMPONENTS				MATERIAL				
M22B		Housing, insert				ZAMAK 5				
		Cam				Steel zinc plated				
		Blocade				Stainless steel				

How to order:

- Type of lock
- Type of insert
- Height of cam H = 15, 18, 21, 26
- Finish
- Type of lock (RH - Right, LH-Left)



* possibility to make in another dimension