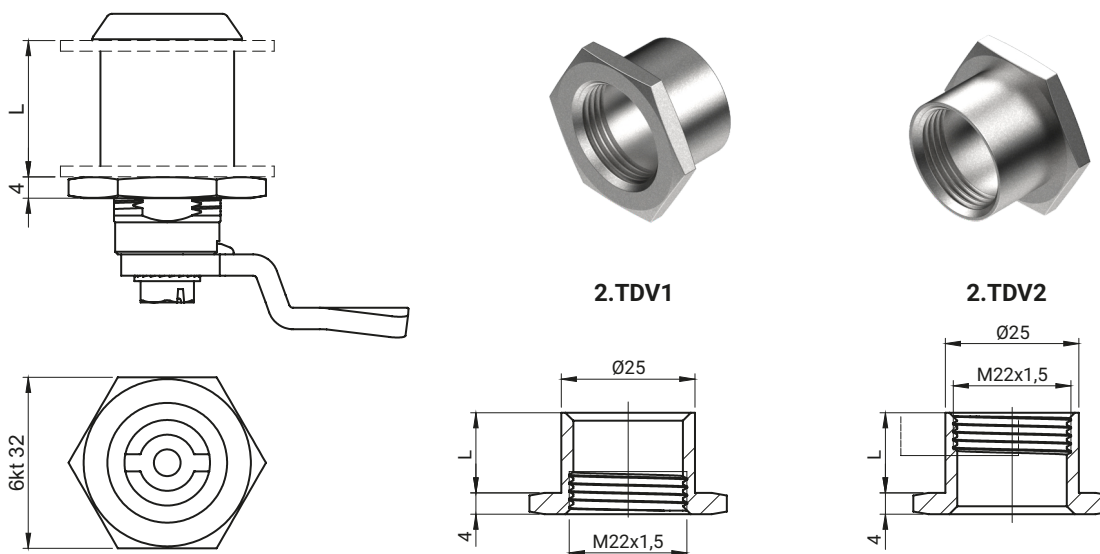


Fitted with locks M22 reducing the thickness of insulated doors
Fitted with locks M22, M22-30, M22-60.
Ts - the thickness of the door.

CATALOGUE NO.	DETAIL	MATERIAL
2.920.001	Adapter	Zinc plated steel



CATALOGUE NO.	L=[MM]	CATALOGUE NO.	L=[MM]	MATERIAL
2.TDV1.001	L=15	2.TDV2.001	L=22,5	Zinc plated steel
2.TDV1.002	L=21	2.TDV2.002	L=25,5	
2.TDV1.003	L=23,5	2.TDV2.003	L=37,5	
2.TDV1.004	L=25	2.TDV2.004	L=48	
2.TDV1.005	L=38	2.TDV2.005	L=50	
2.TDV1.006	L=44			
2.TDV1.007	L=48			

Spacer sleeve for mounting locks in insulated or laminated doors.

Available in two versions:

2.TDV1

The thread is located at the flange (see drawing).

The sleeve is designed for wide enclosures to expedite installation.

2.TDV2

The thread is located at the beginning of the sleeve (see drawing).

The sleeve is designed for wide, insulated doors.

Stainless steel version and custom dimensions available upon request.