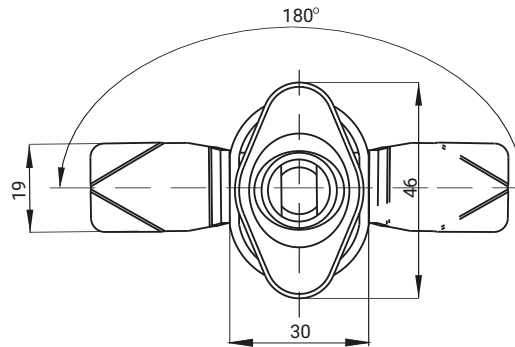
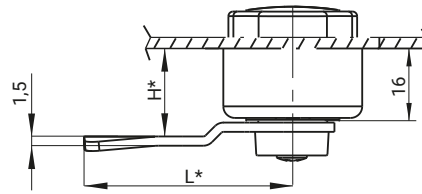
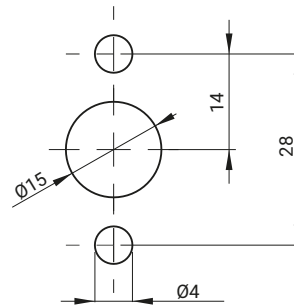






LOCK ZG



LOCK ZGAX



Cut Out

CAM CODE	H*	L*	INSERT [X]	
001	16	30		
002	16	45		
003	19	30	GZ	N
004	19	45		

CATALOGUE NO.	COMPONENTS	MATERIAL	FINISH [C]	
			RAL 9005	RAL 7035
ZG.001	Housing, insert	Polyamide	07	08
ZGAX.01	Blokade	Steel zinc plated	-	-
ZGAX.02		Stainless steel	-	-

How to order:

Type of lock

Type of insert [X]

Cam code

Finish [C]

