

STANDARD KEY BITS			
D5	T9	KW6	KW8
ADDITIONAL BIT [X]			
N	S		

Removable double-sided bit with flat tip (S) and Pozidriv type (PZ2)
Key supplied with double bit, additional N or S bits ordered separately.

CATALOGUE NO.	COMPONENTS	MATERIAL	FINISH [C]			
			No finish	Chrome	Nickel	RAL 9005
2.KL.009	Key, additional bits	ZAMAK 5				
	Bit S / PZ2	Tool steel	00	01	02	04

How to order :

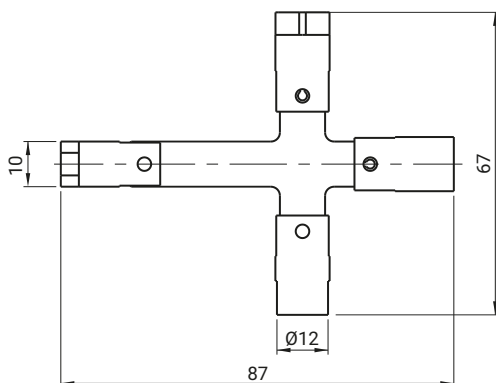
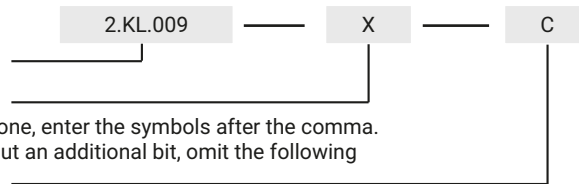
Catalogue number

Additional bit

When ordering more than one, enter the symbols after the comma.

When ordering a key without an additional bit, omit the following

Finish [C]



TYPE OF KEY [X]											
D3	D5	T6	T9	T10	KW6	KW7	KW8	N	C9	C	L
CATALOGUE NO.				COMPONENTS				MATERIAL			
2.KLT-WF.001				Tip				Steel zinc plated			
				Phillips				Stainless steel			

How to order :

Catalogue number

Type of key

