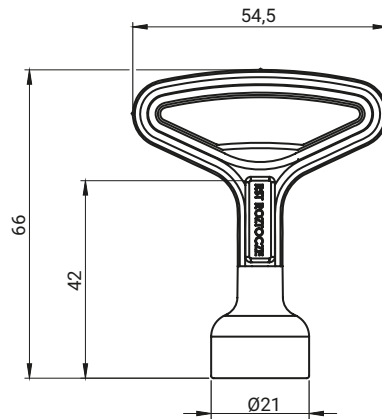
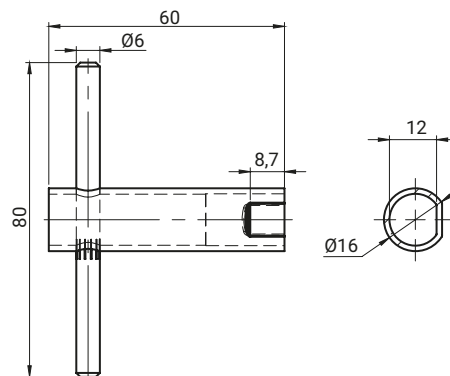


| CATALOGUE NO. | MATERIAL | TYPE OF KEY [X] | FINISH [C] | | | |
|---------------|----------|-----------------|------------|--------|--------|----------|
| | | | No finish | Chrome | Nickel | RAL 9005 |
| 2.KL-X.007 | ZAMAK 5 | | 00 | 01 | 02 | 04 |
| | | D13S | | | | |



Possibility of making logo key on request.

| CATALOGUE NO. | MATERIAL | TYPE OF KEY [X] | FINISH [C] | | | |
|---------------|----------|-----------------|------------|--------|--------|----------|
| | | | No finish | Chrome | Nickel | RAL 9005 |
| 2.KL-X.010 | ZAMAK 5 | | 00 | 01 | 02 | 04 |
| | | SW13 | | | | |



| CATALOGUE NO. | MATERIAL | TYPE OF KEY [X] | FINISH [C] | | | |
|---------------|-------------------|-----------------|------------|--|--|--|
| | | | No finish | | | |
| 2.KL-X.011 | Steel zinc plated | | 00 | | | |
| | | D13S | | | | |

How to order:

Catalogue number, type o key [X]

Finish [C]

www.roztocze.eu

