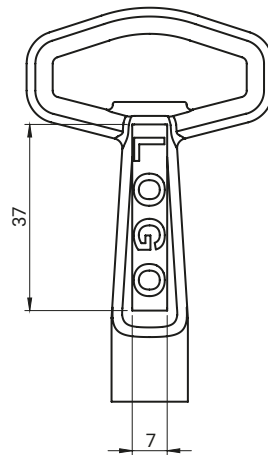
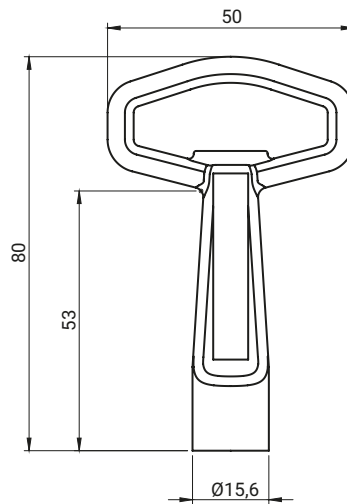
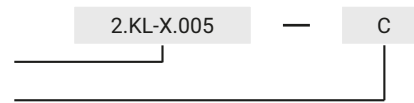


CATALOGUE NO.		MATERIAL			
2.KL-X.005		ZAMAK 5			
TYPE OF KEY [X]		FINISH [C]			
		No finish	Chrome	Nickel	RAL9005
D3S	D5S	00	01	02	04

How to order:

Catalogue number, type o key [X]

Finish



Possibility of making logo key on request.

CATALOGUE NO.							MATERIAL			
2.KL-X.006							ZAMAK 5			
TYPE OF KEY [X]							FINISH [C]			
							No finish	Chrome	Nickel	RAL9005
KW8	T9	T10	T11	T12	T13	HEX9	00	01	02	04

How to order:

Catalogue number, type o key [X]

Finish

