

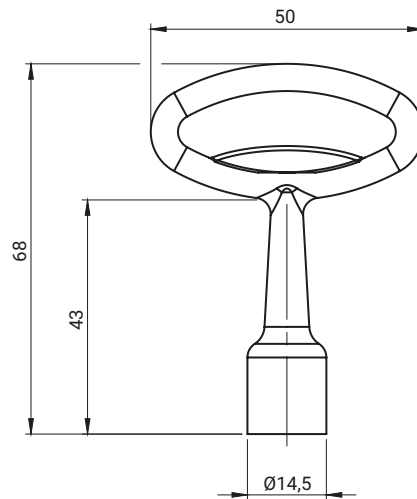
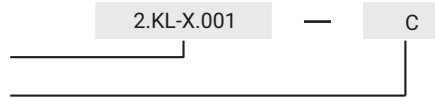
Possibility of making logo key on request.

CATALOGUE NO.					MATERIAL			
2.KL-X.001					ZAMAK 5			
TYPE OF KEY [X]					FINISH [C]			
					No finish	Chrome	Nickel	RAL9005
T6	KW6	N	C9	Q	00	01	02	04

How to order:

Catalogue number, type o key [X]

Finish



CATALOGUE NO.								MATERIAL			
2.KL-X.002								ZAMAK 5			
TYPE OF KEY [X]								FINISH [C]			
								No finish	Chrome	Nickel	RAL 9005
T9	T10	KW6	KW7	KW8	KW8Z	C9	D9	00	01	02	04

How to order:

Catalogue number, type o key [X]

Finish

