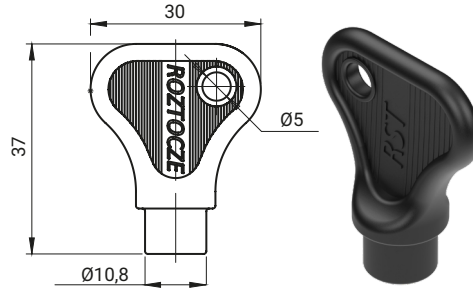


**2.KLB-X.001**

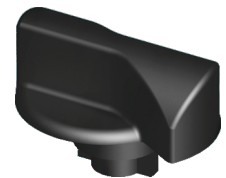
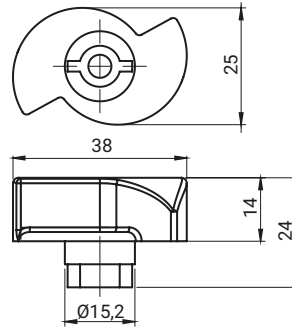
Customized logo on the key available.



**2.KLB-X.002**



CATALOGUE NO.	TYPE OF KEY [X]			MATERIAL	FINISH [C]	
					RAL 9005	RAL 7035
2.KLB-X.001				Polyamide	07	08
	D5	T9	KW8			
2.KLB-X.002				Polyamide	07	08
	T6	T7	KW6			

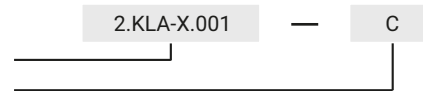


CATALOGUE NO.	TYPE OF KEY [X]				MATERIAL	FINISH [C]	
	RAL 9005	RAL 7035					
2.KLA-X.001					Polyamide	07	08
	D5	T9	KW8	C9			

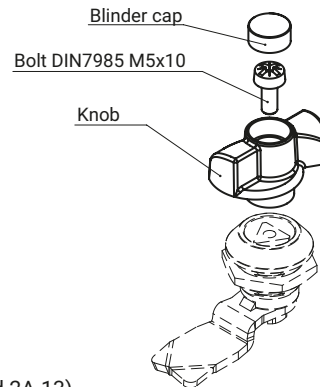
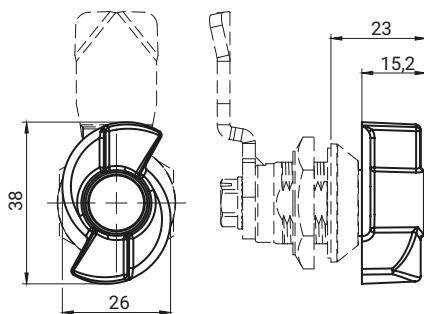
**How to order:**

Catalogue number, type o key [X]

Finish



**Wing knob for T13 insert**



Wing knob for T13 pin, M22-2 and M22-DU locks (pages 2A-8 and 2A-13)

CATALOGUE NO.	COMPONENTS	MATERIAL	FINISH [C]
			RAL 9005
2.KLD-T13.001	T-handle, Blinder cap	Polyamide	07
	Bolt M5x10	Steel zinc plated	-

**How to order:**

Catalogue no.

Finish

