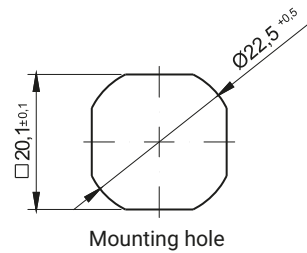
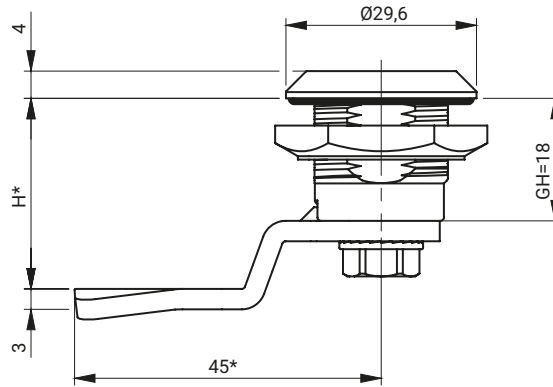


# Lock M22-7

with PUR-type foam gasket



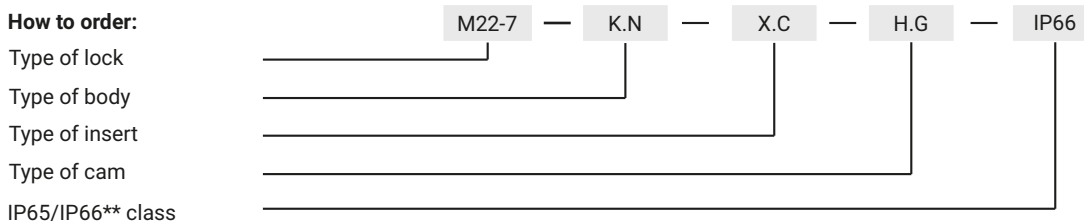
M22-7 - Lock type with PUR-type foam gasket

TYPE OF BODY [K]		MATERIAL AND FINISHING OF THE INSERT [C]					
Polyamide		Polyamide			ZAMAK 5		
RAL 9005	RAL 7035	RAL 9005	RAL 7035	Chrome	Nickel	RAL 9005	RAL 7035
07	08	07	08	01	02	04	05

TYPE OF THE MATERIAL OF THE INSERT	INSERTS [X]												
	D3	D5	T8	T9	KW8	C9	S	HEX8	HEX10	Q	M11	M12	M2
Polyamide	●	●	●	-	●	-	●	-	-	-	***		***
ZAMAK 5	●	●	●	●	●	●	●	●	●	●	***		***

THE TYPE OF THE NUT [N]			
	ZAMAK 5	Polyamide	Steel
Nut without grounding	11	12	13

\* Can be ordered in other sizes  
 \*\* Lock for special request  
 \*\*\* Precise description of inserts M11, M12, M2 check pg. 2A-10



where C,N, G stand for:  
 C - type of the material and finishing of the surface  
 N - type of nut  
 H.G - the cam unbending dimension

Notice:  
 The lock is fitted with cams from the group: 12, 14, 17, 17A, 18, 32, 34, JK1-16018, JK2-16018, J-6000.03, J-6000.04, JK-1610.01, JZ-002 (pg. 1C-10 to 1C-23)