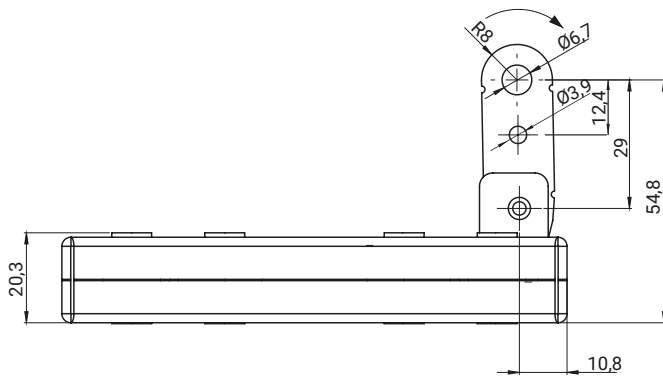
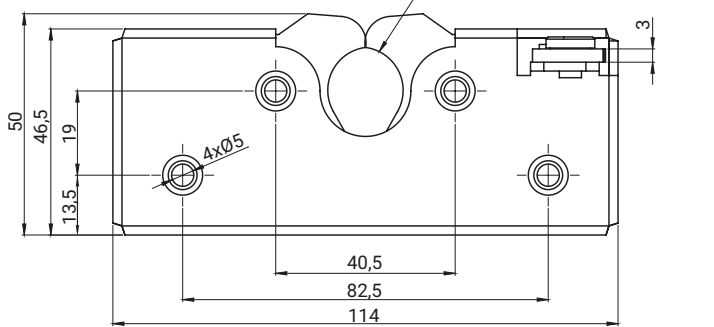


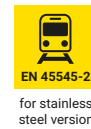
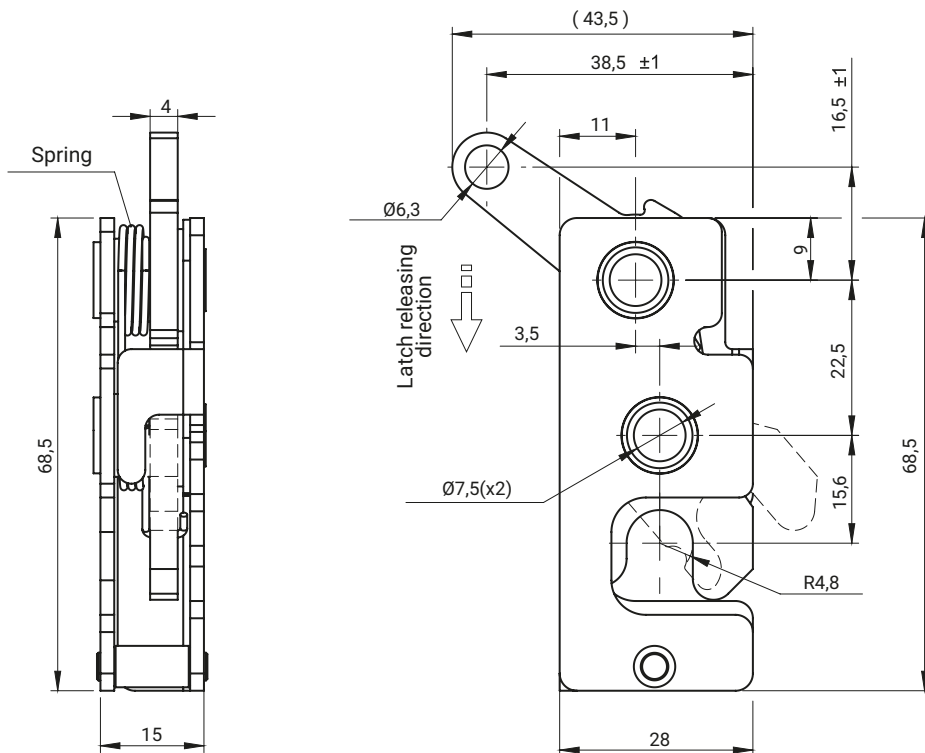
Latch releasing direction



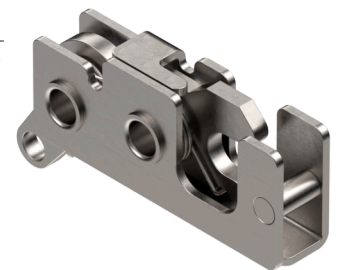
Max diameter of latching rod is 17mm



CATALOGUE NO.	COMPONENTS	MATERIAL
2.507.001	Housing	Zinc plated steel
	Bolt	Oxidized steel



for stainless steel version



CATALOGUE NO.	COMPONENTS	MATERIAL
2.517	Housing, Latch	Stainless steel