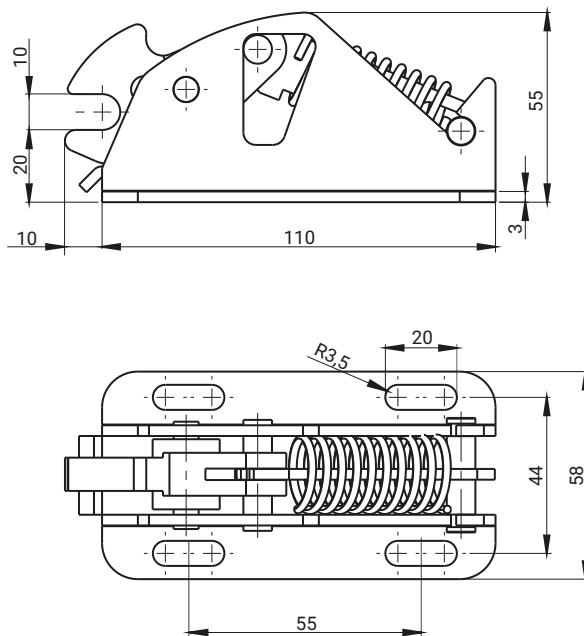


CATALOGUE NO.	COMPONENTS	MATERIAL
2.501.001	Housing / cam	Steel zinc plated/ Polyamide
2.501.001SN	Housing / cam	Stainless steel/ Polyamide



CATALOGUE NO.	COMPONENTS	MATERIAL
2.501.003	Housing / cam	Steel zinc plated/ Polyamide
2.501.003SN	Housing / cam	Stainless steel/ Polyamide