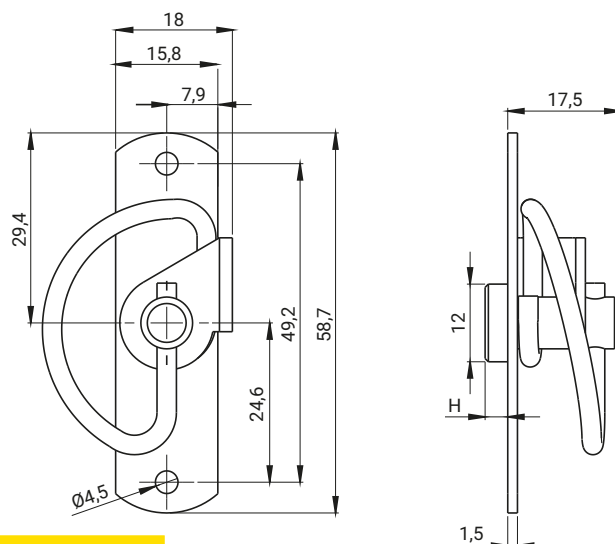


INSERTS [X]					
KW8Z	KW8W	T9	S	HEX6Z	HEX6W
H					
10,5	4,5	10,5	4,5	10,5	4,5
CATALOGUE NO.			COMPONENTS		MATERIAL
2.504.001			Housing, insert		Stainless steel
			Spring		



INSERTS [X]					
KW8Z	KW8W	T9	S	HEX6Z	HEX6W
H					
9,5	3,5	9,5	3,5	9,5	3,5
CATALOGUE NO.			COMPONENTS		MATERIAL
2.504.002			Housing, insert		Stainless steel
			Spring		

How to order:

Type of lock
Type of insert

2.504.001 — KW8