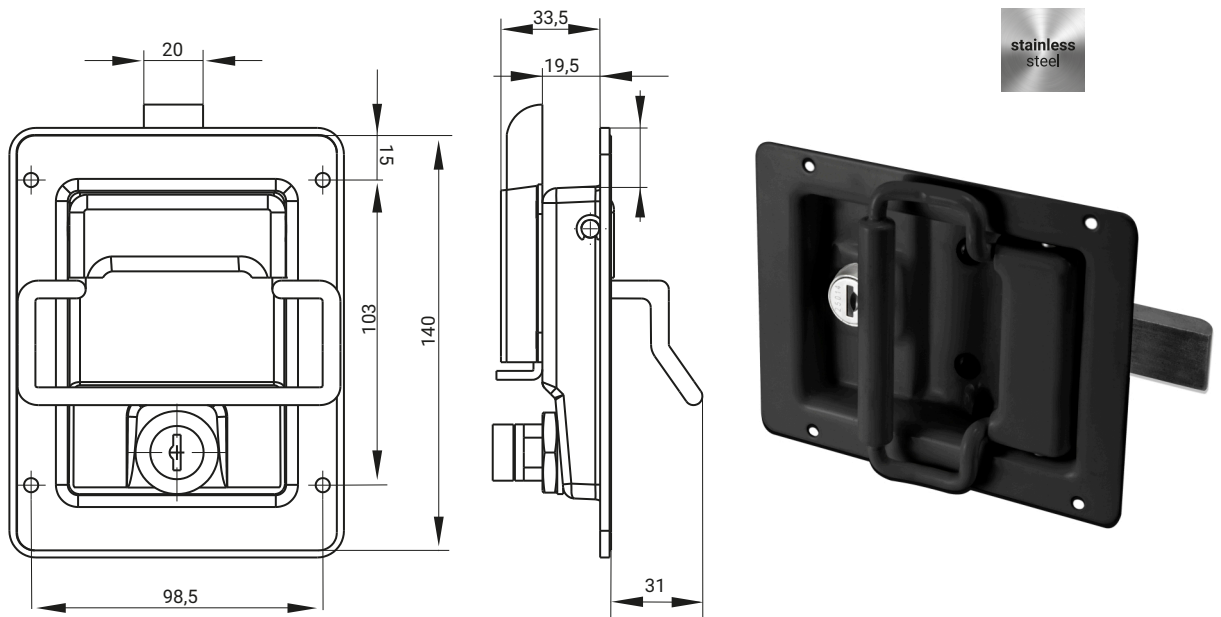
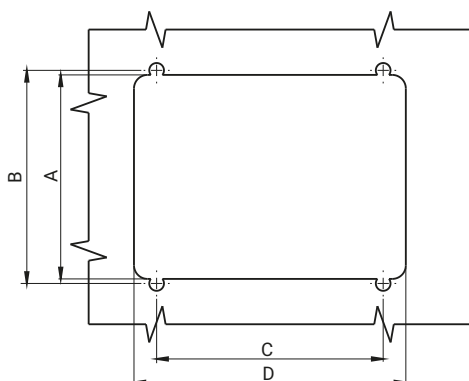


CATALOGUE NO.	COMPONENTS	MATERIAL	FINISH [C]
			RAL 9005
2.510.002	Housing	Stainless steel	04
	Gasket	Elastomer	



CATALOGUE NO.	COMPONENTS	MATERIAL	FINISH [C]
			RAL 9005
2.510.005	Housing	Stainless steel	04
	Gasket	Elastomer	



NR	DIMENSION [MM]			
	A	B	C	D
2.510.002	90	95	98	120
2.510.005	80	98,5	103	113,5