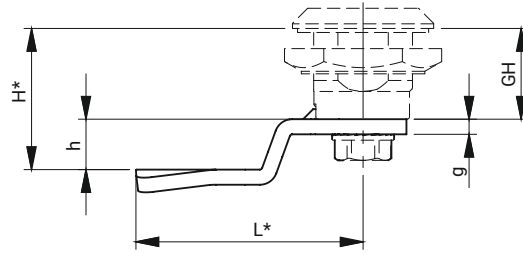
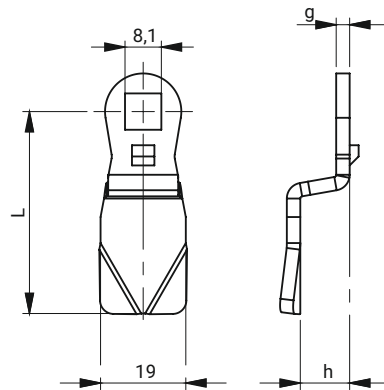
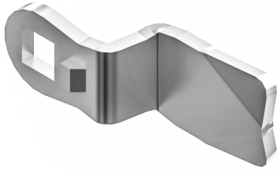


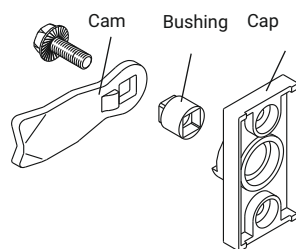
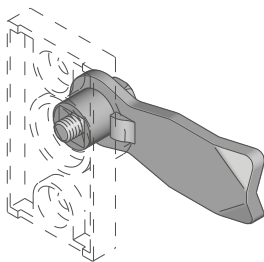
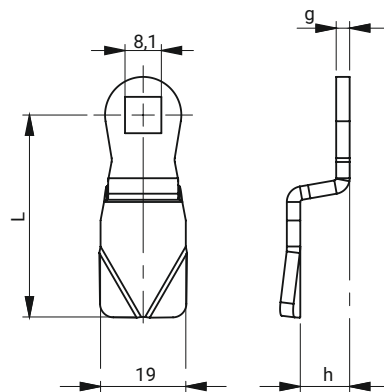
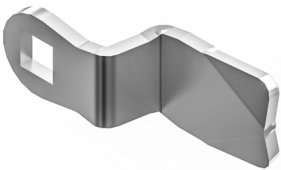
GH - height body
 H - height locking
 h - height cam
 L - length cam
 g - thickness cam



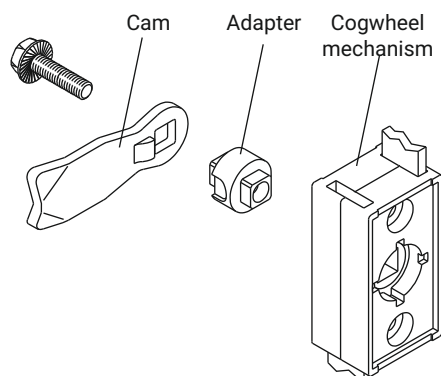
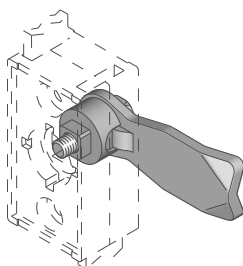
1-point cam with limiter



1-point cam without limiter



NOTE:
 When ordering 1-point cam with limiter for Cap, you must order bushing, page. 1C-27



NOTE:
 When ordering 1-point cam with limiter for Cogwheel mechanism, you must also order adapter, page 1C-27

STEEL ZINC PLATED

15	H	CAT. NUMBER	g*	h	L	GH:18 H	GH:22 H	GH:30 H	GH:40 H	GH:50 H	GH:60 H
	CAM RANGE [g]	18	J-1001845	3	0	45	18	22	30	40	50
19		J-1001945	3	1	45	19	23	31	41	51	61
20		J-1002045	3	2	45	20	24	32	42	52	62
21		J-1002145	3	3	45	21	25	33	43	53	63
22		J-1002245	3	4	45	22	26	34	44	54	64
24		J-1002445	3	6	45	24	28	36	46	56	66
26		J-1002645	3	8	45	26	30	38	48	58	68
28		J-1002845	3	10	45	28	32	40	50	60	70
30		J-1003045	3	12	45	30	34	42	52	62	72
32		J-1003245	3	14	45	32	36	44	54	64	74
34		J-1003445	3	16	45	34	38	46	56	66	76
36		J-1003645	3	18	45	36	40	48	58	68	78
38		J-1003845	3	20	45	38	42	50	60	70	80
40		J-1004045	3	22	45	40	44	52	62	72	82
42		J-1004245	3	24	45	42	46	54	64	74	84
16		J-1001645	3	-2	45	16	20	28	38	48	58
14		J-1001445	3	-4	45	14	18	26	36	46	56
12		J-1001245	3	-6	45	12	16	24	34	44	54
10		J-1001045	3	-8	45	10	14	22	32	42	52
8		J-1000845	3	-10	45	8	12	20	30	40	50
6	J-1000645	3	-12	45	6	10	18	28	38	48	
4	J-1000445	3	-14	45	4	8	16	26	36	46	

STAINLESS STEEL

16	H	CAT. NUMBER	g*	h	L	GH:18 H	GH:22 H	GH:30 H	GH:40 H	GH:50 H	GH:60 H
	CAM RANGE [g]	18	J-1001845SN	3	0	45	18	22	30	40	50
19		J-1001945SN	3	1	45	19	23	31	41	51	61
20		J-1002045SN	3	2	45	20	24	32	42	52	62
21		J-1002145SN	3	3	45	21	25	33	43	53	63
22		J-1002245SN	3	4	45	22	26	34	44	54	64
24		J-1002445SN	3	6	45	24	28	36	46	56	66
26		J-1002645SN	3	8	45	26	30	38	48	58	68
28		J-1002845SN	3	10	45	28	32	40	50	60	70
30		J-1003045SN	3	12	45	30	34	42	52	62	72
32		J-1003245SN	3	14	45	32	36	44	54	64	74
34		J-1003445SN	3	16	45	34	38	46	56	66	76
36		J-1003645SN	3	18	45	36	40	48	58	68	78
38		J-1003845SN	3	20	45	38	42	50	60	70	80
40		J-1004045SN	3	22	45	40	44	52	62	72	82
42		J-1004245SN	3	24	45	42	46	54	64	74	84
16		J-1001645SN	3	-2	45	16	20	28	38	48	58
14		J-1001445SN	3	-4	45	14	18	26	36	46	56
12		J-1001245SN	3	-6	45	12	16	24	34	44	54
10		J-1001045SN	3	-8	45	10	14	22	32	42	52
8		J-1000845SN	3	-10	45	8	12	20	30	40	50
6	J-1000645SN	3	-12	45	6	10	18	28	38	48	
4	J-1000445SN	3	-14	45	4	8	16	26	36	46	