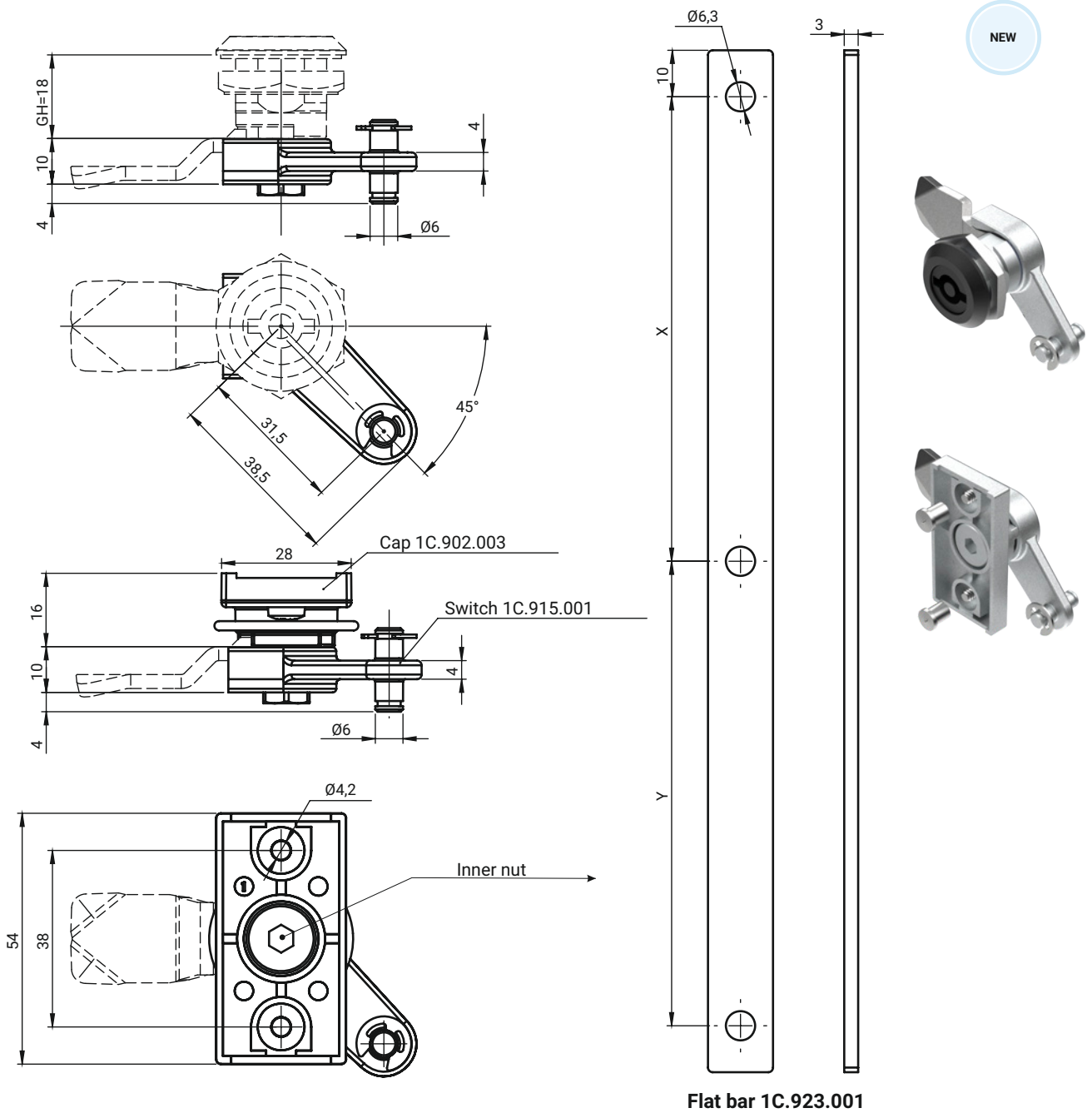


Connector 1C.915.001 for multiple locks



Flat bar 1C.923.001

CAT. NUMBER	COMPONENTS	MATERIAL
1C.915.001	Switch	ZAMAK 5
1C.902.001	Cap	ZAMAK 5
1C.917.002	Inner nut	ZAMAK 5
1C.923.001	Flat bar	Steel zinc plated

How to order flat bar:

1C.923.001 — X — Y

Type of lock _____

Key code _____

Switch compatible with cam from the group: 11, 13 (pg. 1C-10-11)

Compatible with M22 GH=18, M22-1, M22-2, M22-3 (pg. 2A-8 - 2A-10)