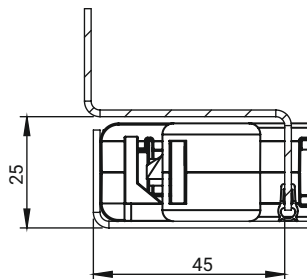
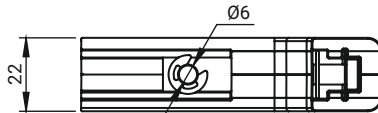
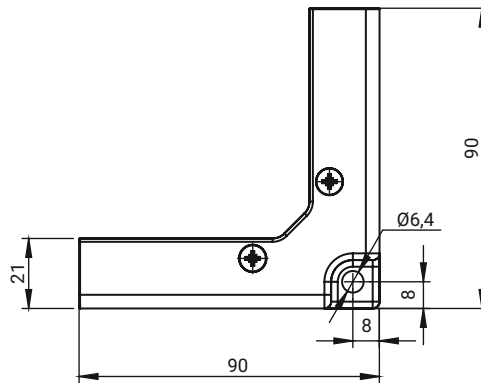
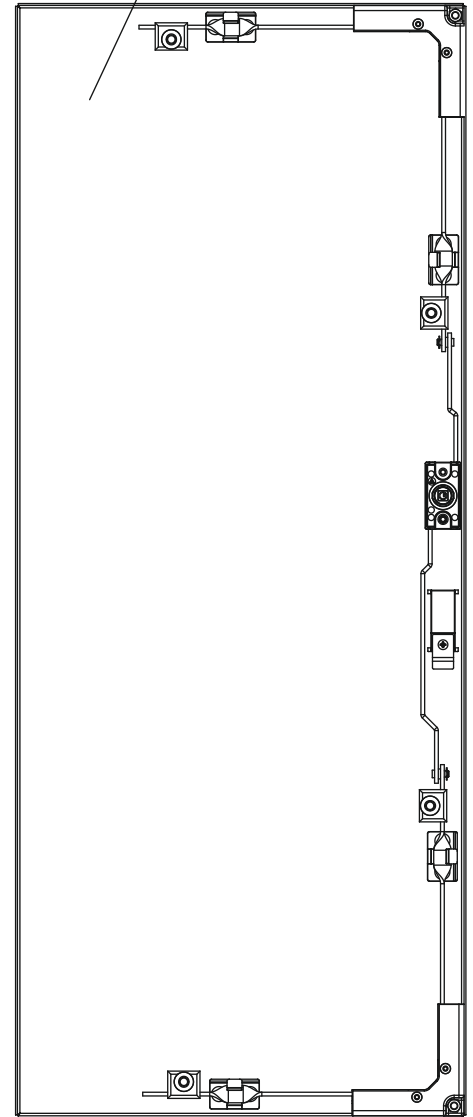


NEW



Inside view of door



The system is compatible with:

- locks type RS (pp. 1B-3 to 1B-36): RS650, RS710, RS717, RS715
- gear mechanism MZ2 (p. 1C-29 to 1C-30)
- clamping flats ver. A, B, C. (p. 1C-36 to 1C-39)

Selection of locking system with corner guide 1C.924.001 on individual order.

CAT. NUMBER	COMPONENTS	MATERIAL
1C.922.001	Corner rod guide	Poliamid PA GF30