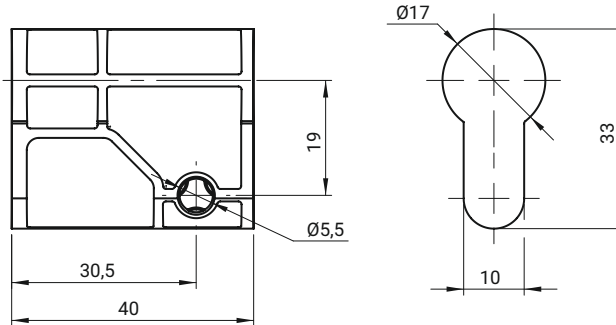
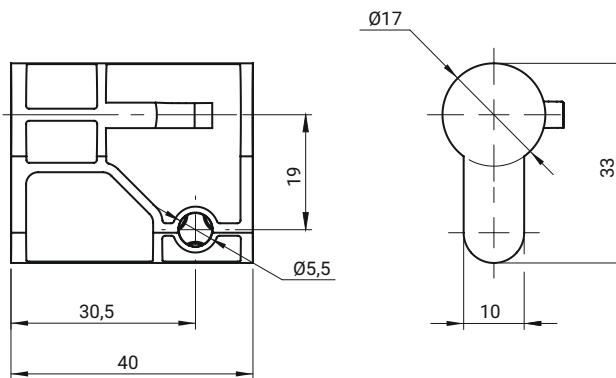
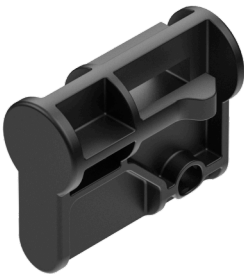
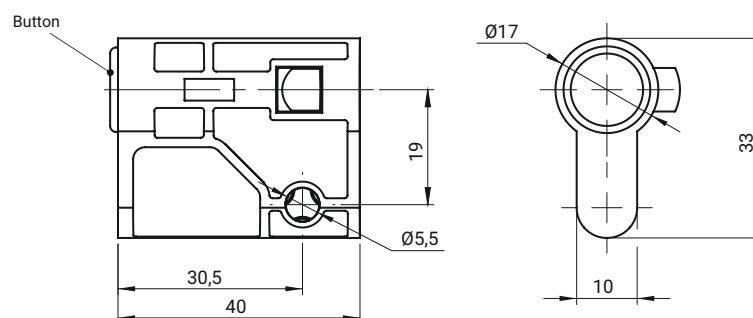


NEW

WRS-PA.001
 Shaped insert end cap

WRS-PA.002
 Snap-on shaped insert

WRS-PA.003
 Snap-on shaped insert


CATALOGUE NO.	COMPONENTS	MATERIAL
WRS-PA.001	Housing	Polyamide PA6 GF30
WRS-PA.002	Housing	
WRS-PA.003	Housing, Button, Latch	Stainless steel
	Spring	