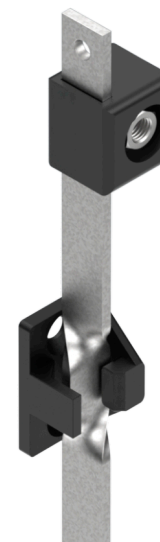
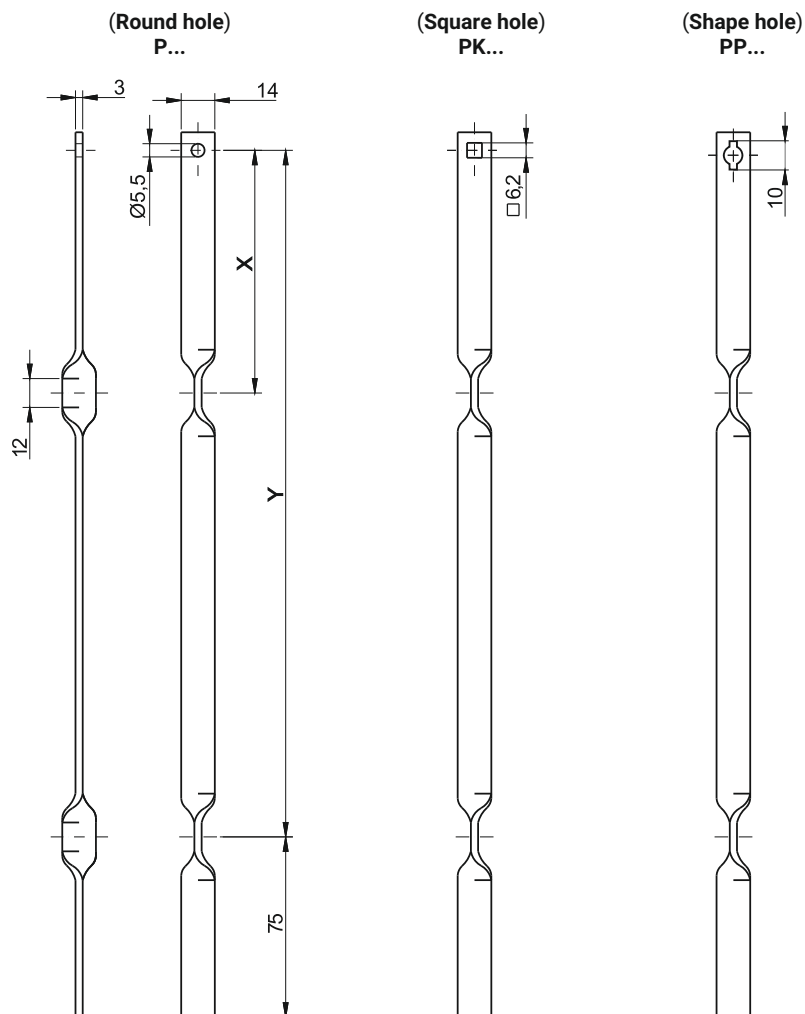
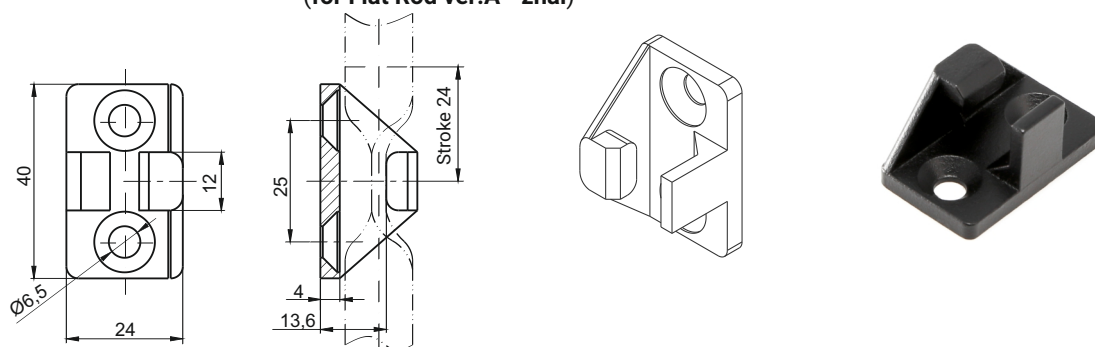


## FLAT ROD ver. A



## CATCH W314-90 (for Flat Rod ver.A - znal)



CATALOGUE NUMBER FLAT ROD VER. A			DOOR HEIGHT WD	DIMENSION TO THE FLAT ROD		DIMENSION TO DOOR CENTER		MATERIAL
ROUND HOLE	SQUARE HOLE	SHAPE HOLE		X	Y	C	D	
P190-210	PK190-210	PP190-210	800 - 1200	-	126	-	300	Steel zinc plated
P190-351	PK190-351	PP190-351	1200 - 1600	-	276	-	450	
P290-601	PK290-601	PP290-601	1600 - 1900	101	526	275	700	
P290-751	PK290-751	PP290-751	1900 - 2200	101	676	275	850	
CAT. NUMBER		NAME	MATERIAL					
1C.907.001		Catch for flat rod ver. A	ZAMAK 5 - powder painted					