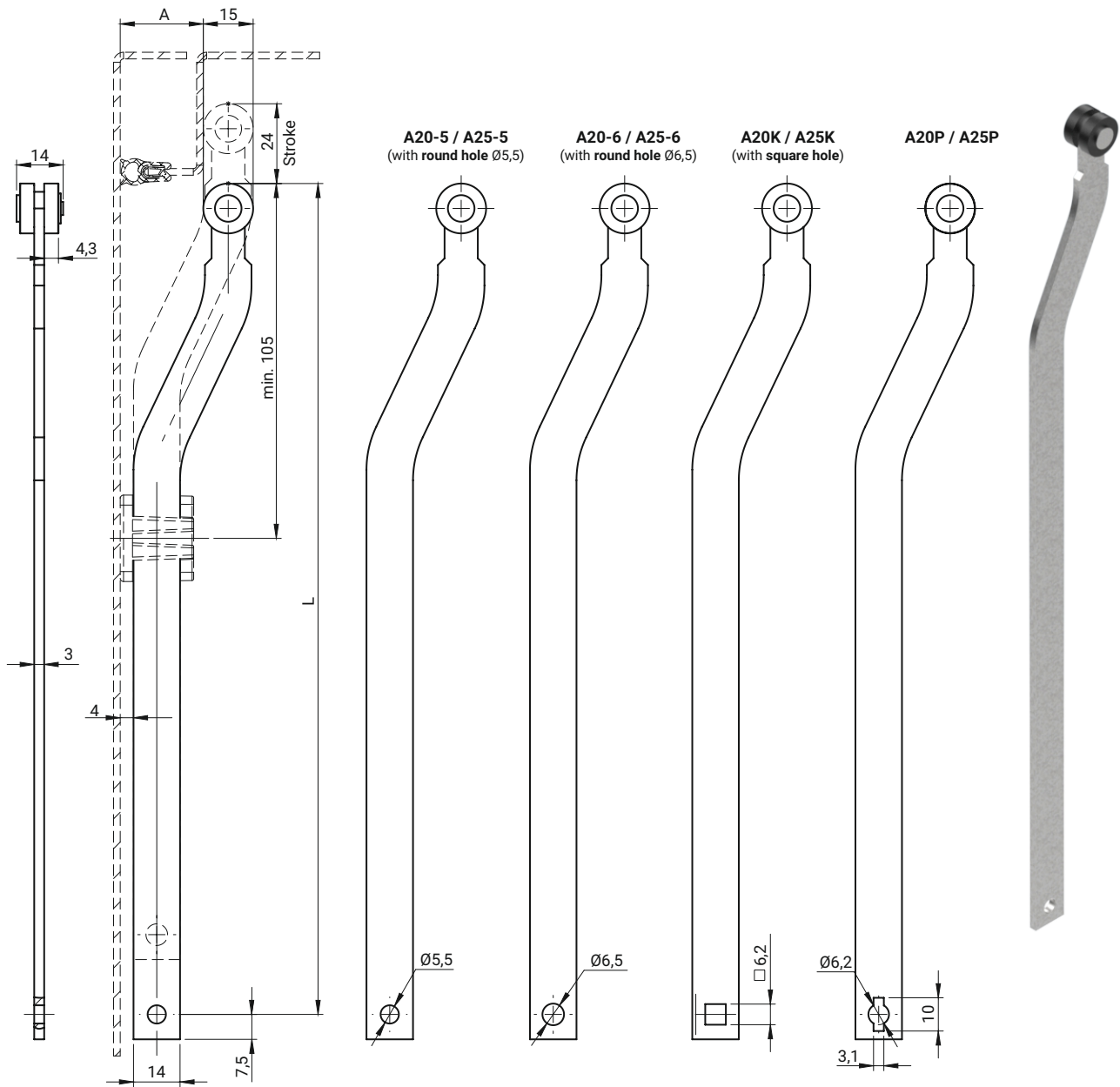


# Flat rod with rollers

## A20-5, A25-5, A20-6, A25-6 A20K, A25K, A20P, A25P



**NOTE:** Additionally possibility of ordering rubber profile, page 6-1 to 6-15, 6-10 to 6-11  
Fox example: A25K-300 means flat rod 3x14mm, dimension A=25, length L=300mm with square hole

CAT. NUMBER	NAME	MATERIAL	DIMENSIONS	
			A	L
A20-5	Flat rod with rollers with round hole Ø5,5	Flat rod - steel zinc plated Rollers - PA6	20	Dimensions negotiable
A25-5			25	
A20-6	Flat rod with rollers with round hole Ø6,5		20	
A25-6			25	
A20K	Flat rod with rollers with square hole		20	
A25K			25	
A20P	Flat rod with rollers A20P, A25P		20	
A25P			25	

• Possibility of producing other flat rod on special request

### How to order:

Catalogue number  
Length of flat rod

