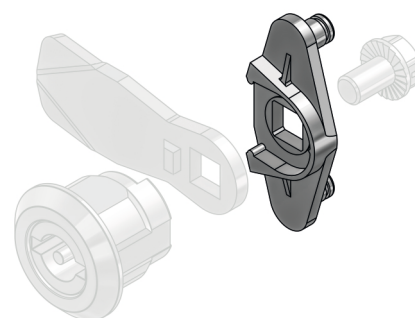
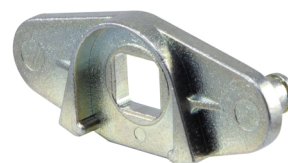
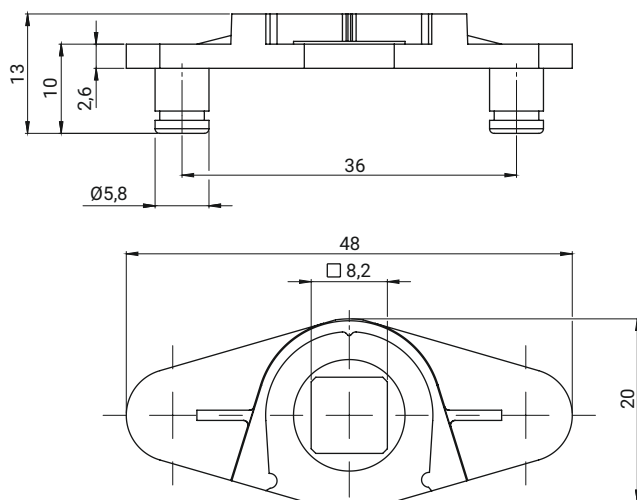
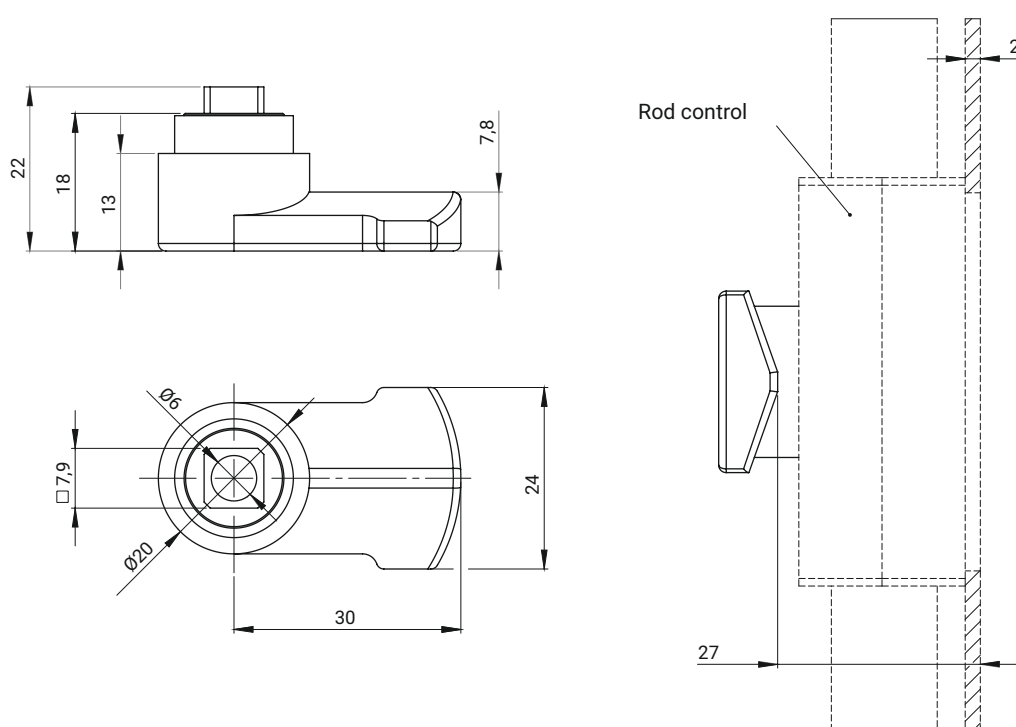


Cam adapter JC-20018/36 Cam ZAMAK JZN-10027/30



Cam adapter JC-20018/36 is fitted with the rod 1C.904.051.
and group of cams 1-point no. 11, 12, 13, 14, 15, 16 i 17 (pg. 1C-10 - 1C-13)

CATALOGUE NO.	DETAIL	MATERIAL
JC-20018/36	Cam adapter	ZAMAK 5, zinc plated



Adapter fitted with rod control.
(pg.: 1C-28 - 1C-33)

CATALOGUE NO.	DETAIL	MATERIAL
JZN-10027/30	Cam	ZAMAK, zinc plated