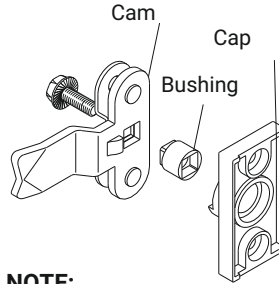
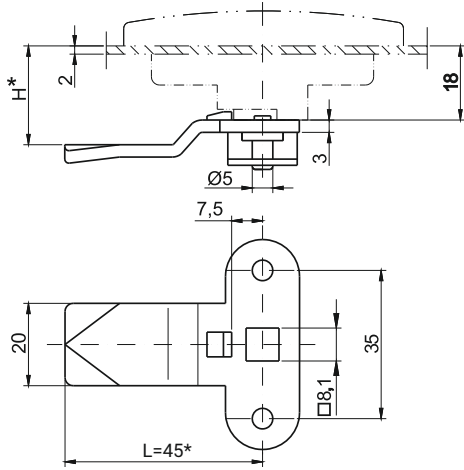


# 3-point cam with limiter JA, JB, JBN

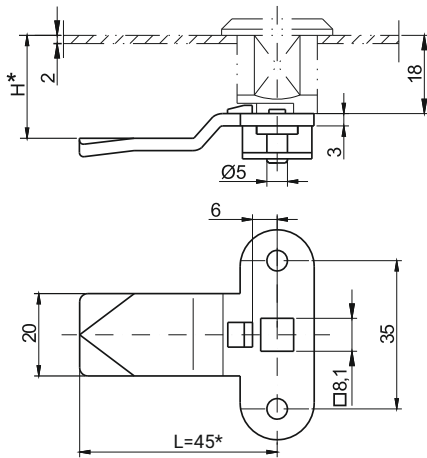


**3-point CAM.**  
(with limiter and protective element for Cap)

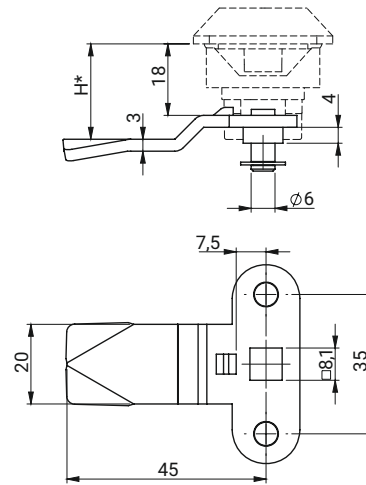


**NOTE:**  
When ordering 3-point cam with limiter for cap, you must order bushing, page 1C-27.

**3-point CAM.**  
(with limiter and protective element)



**3-point CAM.**  
(with limiter)



38	CATALOGUE NO.		NAME	DIMENSION H [MM]	MATERIAL
	SEEL ZINC PLATED	STAINLESS STEEL			
CAM RANGE [G]	JBN-37518	JBN-37518SN	3-point cam with limiter and protective element used with cap, page 1C-9	18	Steel zinc plated or Stainless Steel
	JBN-37521	JBN-37521SN		21	
	JBN-37524	JBN-37524SN		24	
	JBN-37529	JBN-37529SN		29	
	JB-37518	JB-37518SN	3-point cam with limiter and protective element	18	Steel zinc plated or Stainless Steel
	JB-37521	JB-37521SN		21	
	JB-37524	JB-37524SN		24	
	JB-37529	JB-37529SN		29	
	JA-3751845	JB-3751845SN	3-point cam with limiter	18	Steel zinc plated or Stainless Steel
	JA-3752145	JB-3752145SN		21	
	JA-3752445	JB-3752445SN		24	
	JA-3752945	JB-3752945SN		29	

\*dimension negotiable - extra charge