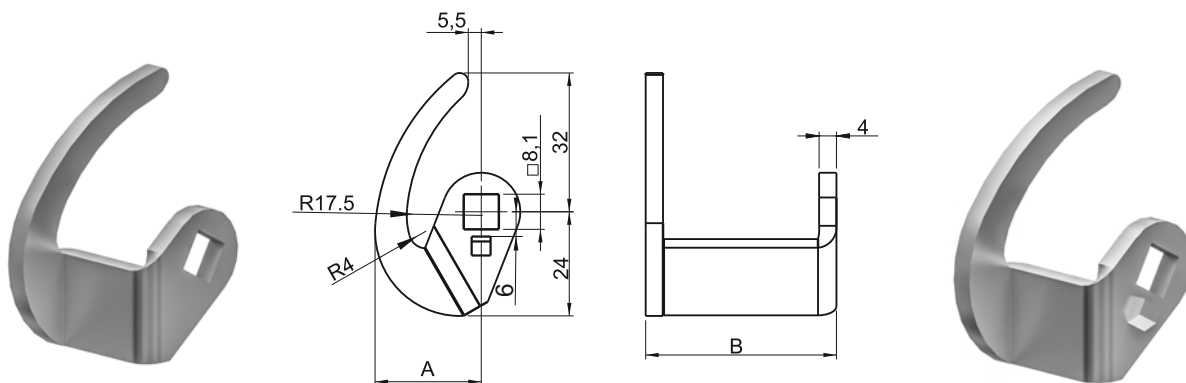




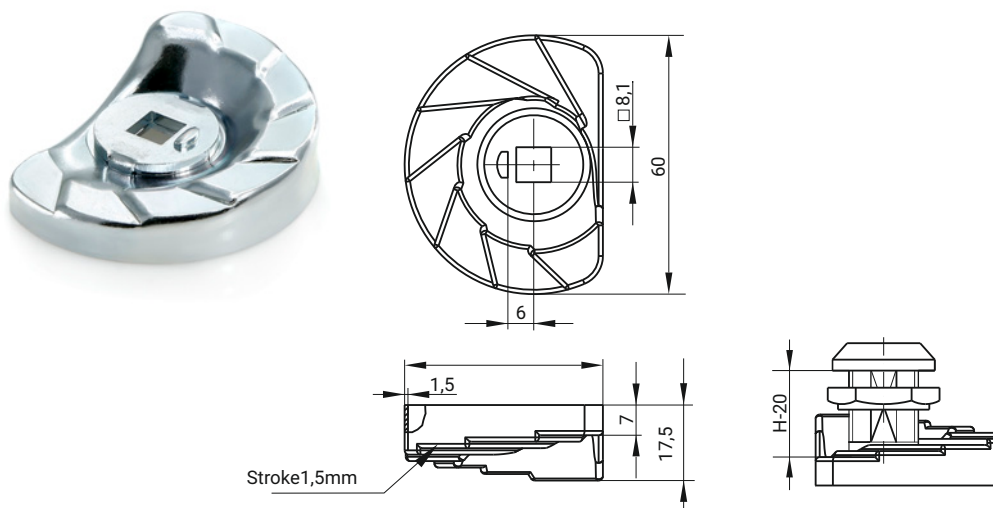
stainless steel

## 1-point cam without limiter TYP J-6000

## 1-point cam with limiter TYP J-6000



## 1-point cam stepped TYP JK-1610.01



Dimension H 18mm: 20, 18.5, 17, 15.5, 14, 12.5, 11, 9.5  
Cam works with housing 18, 30, 60

CATALOGUE NO.		NAME	DIMENSION [MM]		
STEEL	STAINLESS STEEL		H	A	B
J-6000.01	J-6000.01SN	1-point cam hook without limiter	22	26	26
J-6000.02	J-6000.02SN		40	24,5	44
J-6000.03	J-6000.03SN	1-point cam hook with limiter	22	26	26
J-6000.04	J-6000.04SN		40	24,5	44
JK-1610.01		1-point cam stepped			

• \*dimensions negotiable