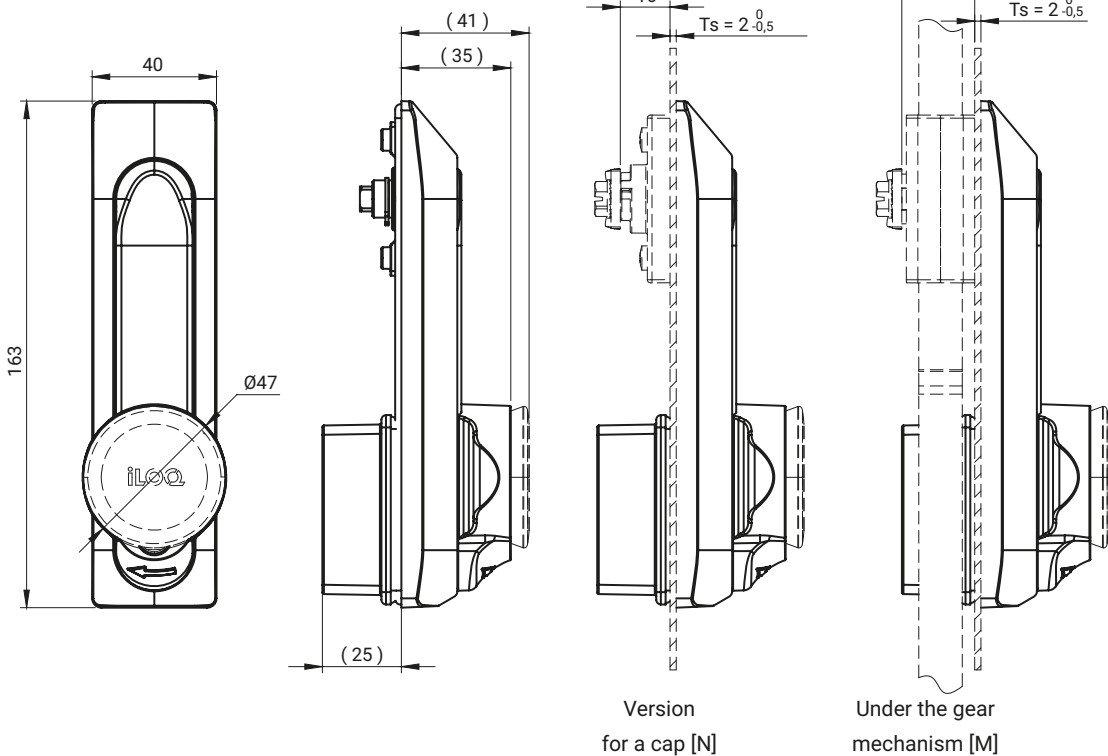




Advantages of the iLOQ insert handle

- Battery-free power supply NFC technology,
- Opening via smartphone and proximity key,
- Cylinder with 256-bit AES encryption,
- Compliant with European standards DIN 18252 / EN 15684,
- Possibility to extend the cylinder by 5 mm,
- Easy programming via PC and iLOQ P55S.1 token,
- Group access management,
- Option to lock out lost keys, Internal event log,
- Support for time restrictions,
- Online opening authentication,
- Easy software update.



*iLOQ insert D50S.531 to be ordered separately - www.iloq.com

TYPE OF LOCK	COMPONENTS	MATERIAL	FINISH [C]	
			RAL 9005	RAL 7035
RS980-IQ.N RS980-IQ.M	Housing, Handle	ZAMAK5	04	05
	Adapter	PA6 GF30	-	

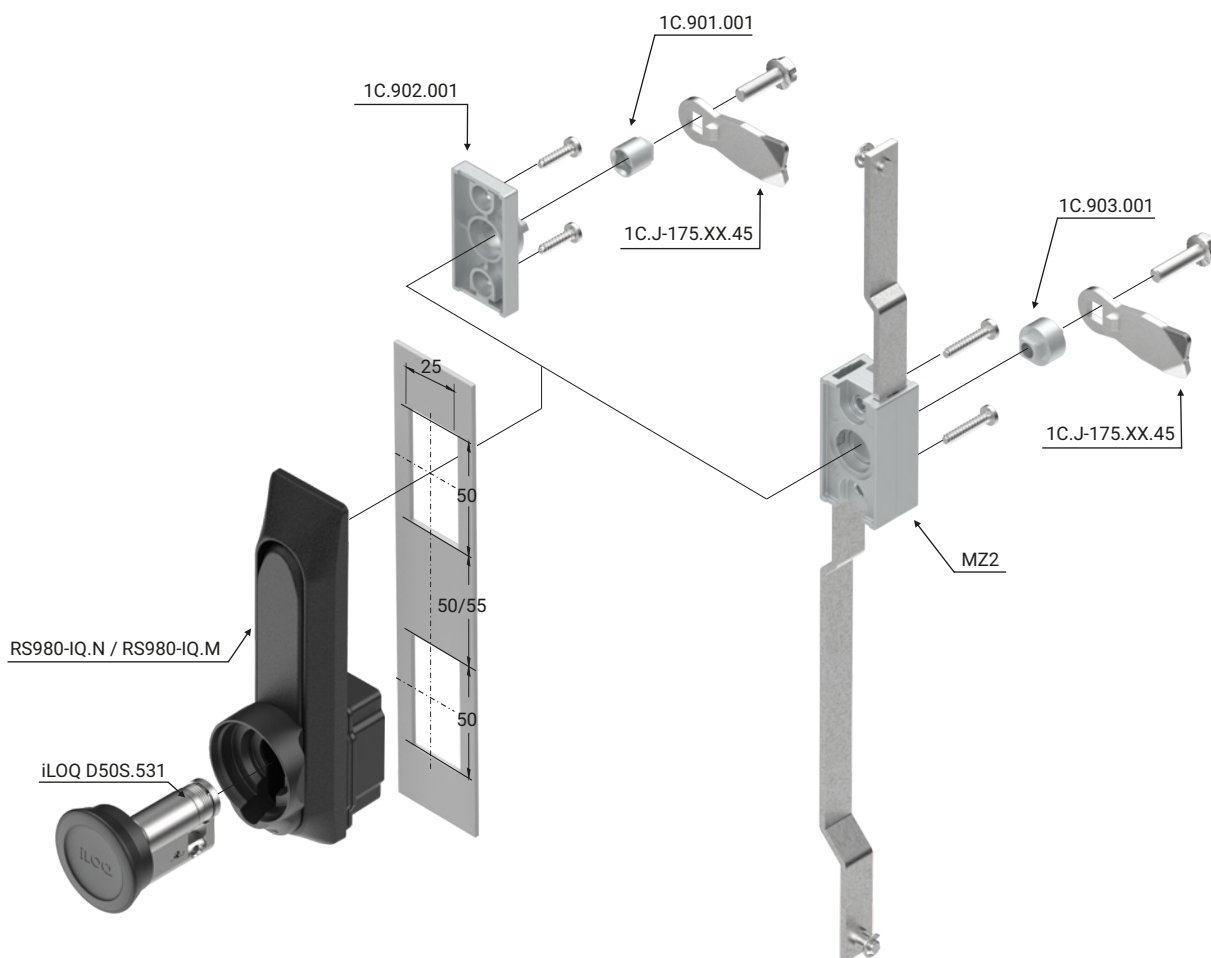
How to order:
 Type of lock: RS980-IQ.M — [C]
 Finish: [C]

where:

Ts - mounting plate thickness

Accessories to be ordered separately for the toothed rack or pinion are shown on page 1B-60.

Swinghandle for overlay or gear mechanism RS980-IQ



*iLOQ insert D50S.531 to be ordered separately - www.iloq.com

ACCESSORIES ORDERED SEPARATELY UNDER THE COVER [N]

TYPE OF LOCK	DETAIL	PAGE
RS980-IQ.N	Cap 1C.902.001 / 1C.902.003	1C-27
	Bushing 1C.901.001	1C-27
	1-point cam, group: 11, 13	1C-10, 1C-11
	2-point cam, group: 21	1C-15
	3-point cam, group: 31, 33	1C-17, 1C-18
	Rods	1C-4, 1C-5
	Rod guide	1C-6, 1C-7

ACCESSORIES ORDERED SEPARATELY FOR THE RACK MECHANISM [M]

TYPE OF LOCK	DETAIL	PAGE
RS980-IQ.M	Cogwheel mechanism MZ2 / MZ3	1C-30 - 1C-33
	1-point cam, groups: 11, 13	1C-10 - 1C-11
	Adapter 1C.903.001	1C-27
	Flat bar	1C-34 - 1C-40
	Flat bar guides and supports	1C-6, 8, 1C-34 - 1C-40