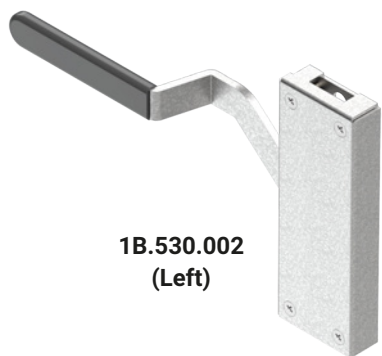
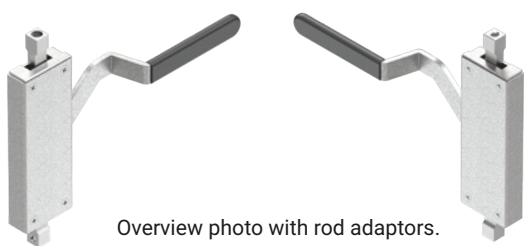


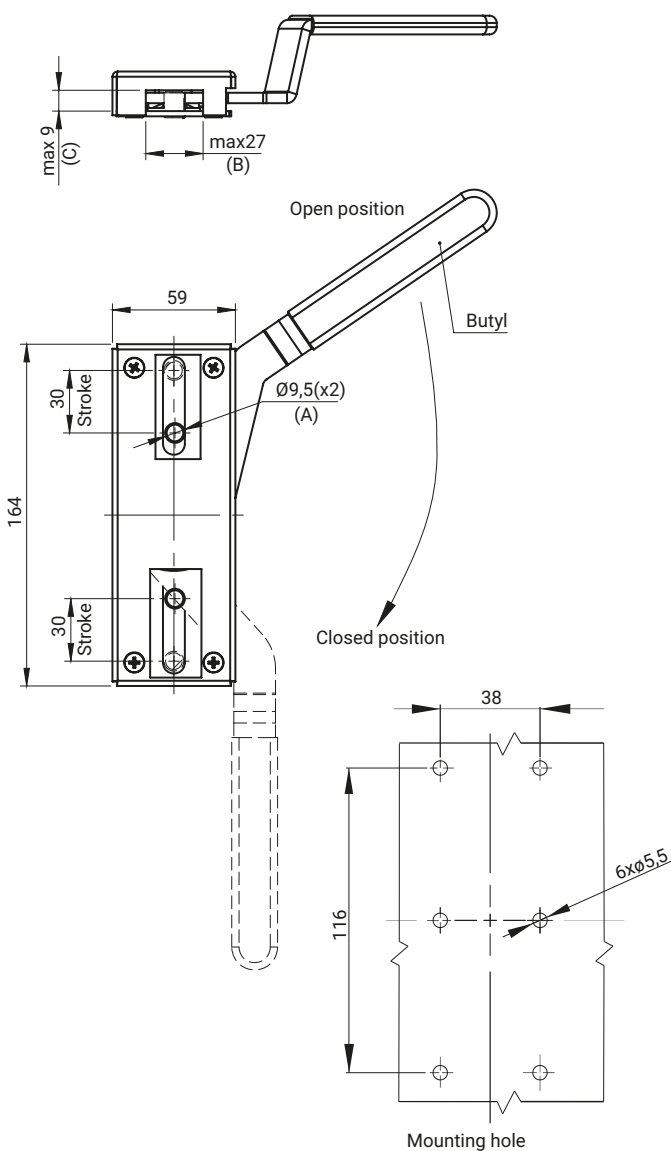
**1B.530.001 (Right)**



**1B.530.002 (Left)**



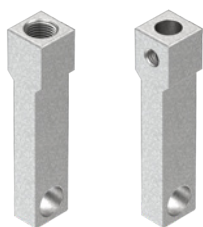
Overview photo with rod adaptors.



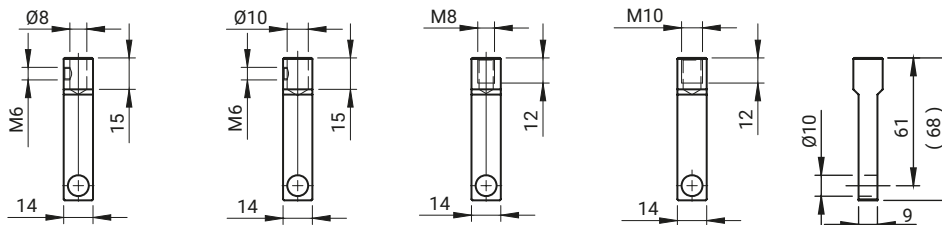
Lock sold without adaptors.

Ø9.5 tie rod mounting holes (A). Maximum bar width 27 (B) and height 9 (C).

TYPE OF LOCK	VERSION	NAME	MATERIAL
1B.530.001	Right	Internal Lock ZWDB	Steel zinc plated
1B.530.002	Left		



**1B.530.001.06.1    1B.530.001.06.2    1B.530.001.06.3    1B.530.001.06.4**



The adaptors are compatible with lock 1B.530 (page 1B-55). The rod adapter must be ordered separately.

CATALOGUE NUMBER	VERSION	NAME	MATERIAL
1B.530.001.06.1	Ø8	Rod adapter	Steel zinc plated
1B.530.001.06.2	Ø10		
1B.530.001.06.3	M8		
1B.530.001.06.4	M10		