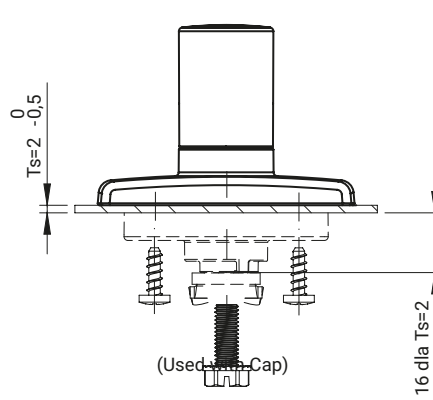
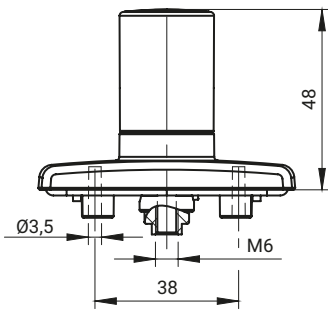
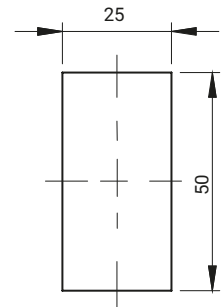
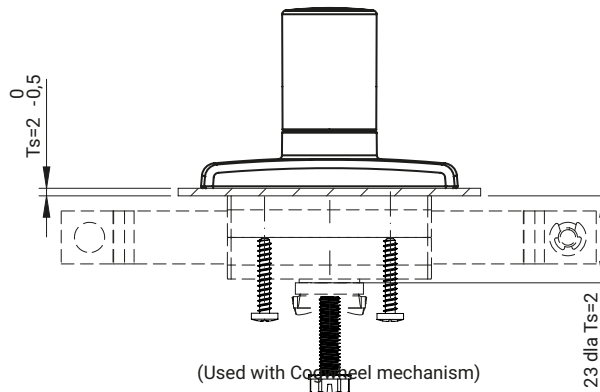
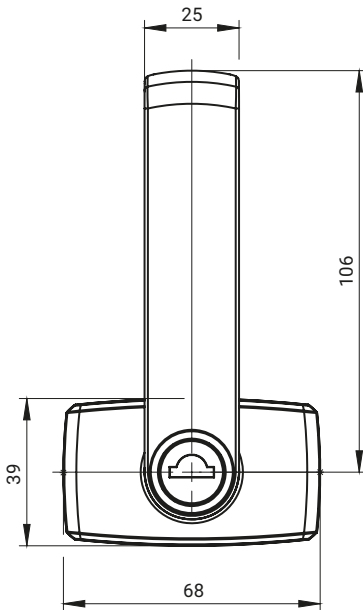




**RW525.N**



**RW525.M**

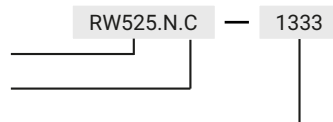


Mounting hole

TYPE OF LOCK	COMPONENTS	MATERIAL	FINISH [C]		CYLINDER PROFILE	
			RAL 9005		KEY CODE	NO CYLINDER
RW525	Handle	ZAMAK 5	07	1333	RK (different code)	BW
	Housing	Polyamide Pa6 Gf30				

**How to order:**

Type of lock  
Finish [C]  
Key code



where:

Ts - door thickness

**NOTE:**

Elements ordered separately for the version for the cover plate and the gear mechanism are included in the tables, see page 1B-51.