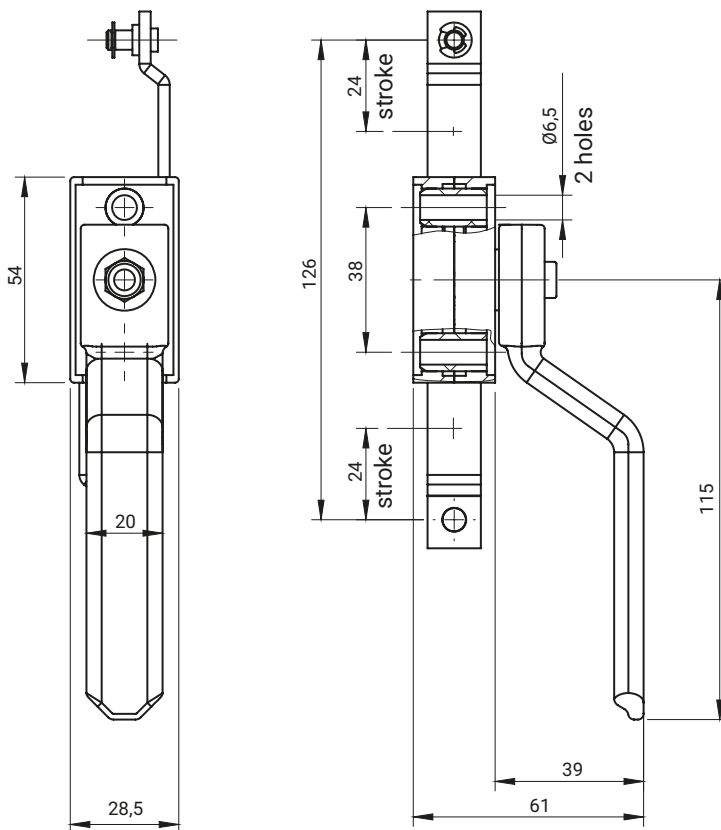


MZ1-DB.002, MZ1K-DB.002, MZ1P-DB.002



Flat Rod
page 1C-34 - 1C-40

Rod guide P314
page 1C-8

CATALOGUE NUMBER	VERSION	COMPONENTS	MATERIAL
MZ1-DB.002	Retaining washers protection	The body of the mechanism	ZAMAK 5
MZ1K-DB.002	Square protection	Tie-rod	Zinc-plated steel
MZ1P-DB.002	Shape protection	Inner handle	Polyamide